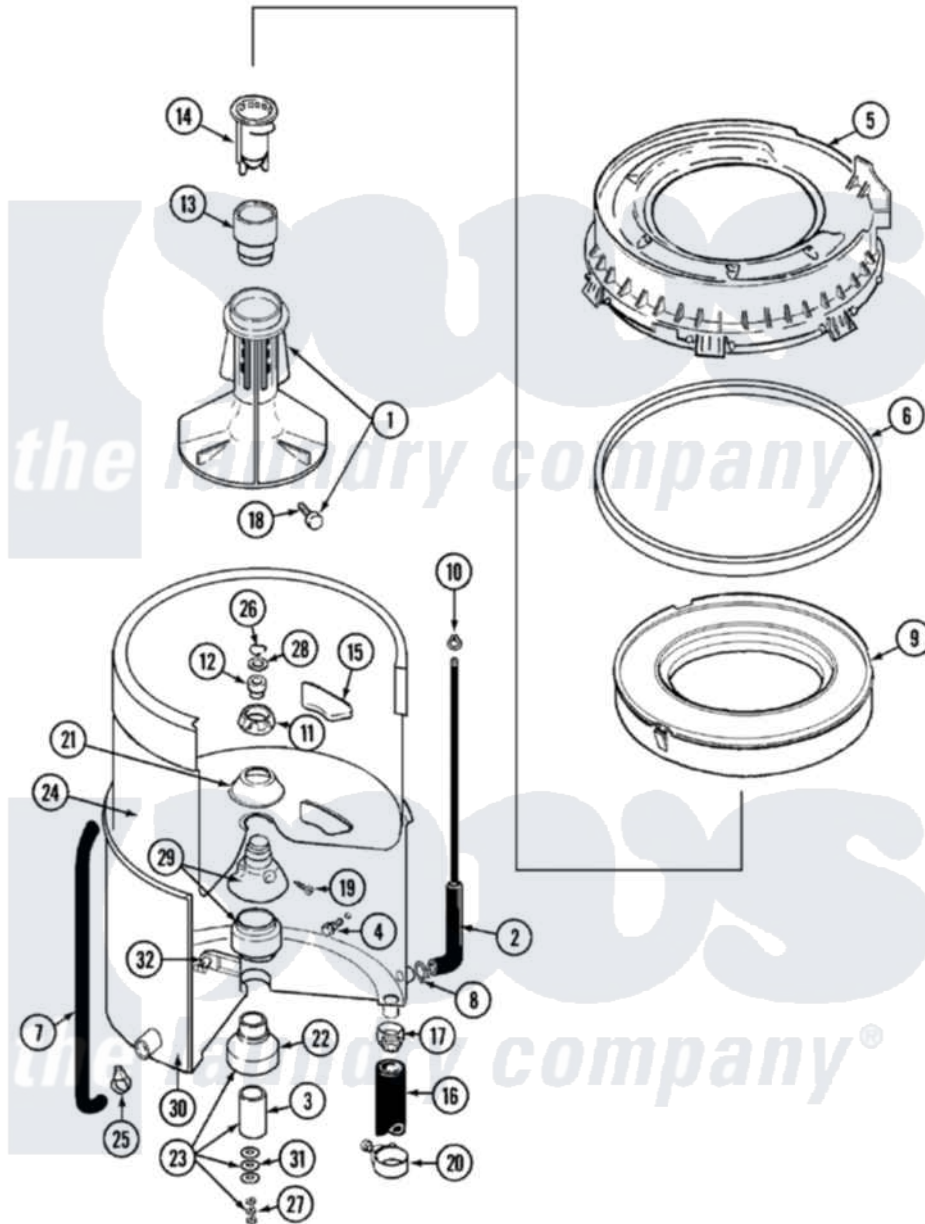


# Maytag LSE7806ACE 13 - TUB



Maytag Residential Maytag LSE7806ACE Stacked Washer and Dryer Parts Parts Diagram 13 - TUB  
 Click on the part number to view part

Item	Original Part Number	Replaced By	Status	Part Description
1	<a href="#">207538</a>			Agitator W/Lock Screw
2	<a href="#">22001616</a>			Tube, Air
3	<a href="#">211130</a>			Bearing Liner, Tub Bearing
4	200744	<a href="#">W10175939</a>		Bolt
"	205254	<a href="#">W10175938</a>		Bolt
5	<a href="#">22001299</a>			Tub Cover And Gasket Assembly
6	<a href="#">22001007</a>			Gasket, Cover To Tub
7	<a href="#">214495</a>			Tube, Inlet To Tub
8	<a href="#">211641</a>			Clamp, 1-1/16"
9	<a href="#">22001142</a>			Ring, Balance
10	410296	<a href="#">596669</a>		Clamp, Manifold
11	211047	<a href="#">6-2110472</a>		Nut- Clamp
12	22001648	<a href="#">6-2095720</a>		Mounting S
13	<a href="#">22001295</a>			Housing, Dispenser
14	<a href="#">22001294</a>			Cup, Dispensing
15	<a href="#">207219</a>			Filter, Self-Cleaning

16	<a href="#">213045</a>		Hose, Outer Tub Part Not Used
17	22001640	<a href="#">285655</a>	Clamp, Hose
18	206478	Not Available	SCREW & WASHER FOR AGITATOR
19	<a href="#">22001423</a>		Set Screw, Mounting Stem
20	22001640	<a href="#">285655</a>	Clamp, Hose
21	<a href="#">211210</a>		Washer, Clamping Nut
22	200824	<a href="#">6-2040130</a>	Tub Bearin
23	204013	<a href="#">6-2040130</a>	Tub Bearin
24	22001140	<a href="#">Y2201881</a>	Tub, Inner Short White SP
"	<a href="#">Y2201881</a>		Tub, Inner Short White SP
25	205161	<a href="#">489503</a>	Clamp
26	<a href="#">Y015667</a>		Retaining Ring
27	<a href="#">Y054867</a>		Washer, Lock
28	<a href="#">Y015666</a>		Washer, Retaining -
29	22001648	<a href="#">6-2095720</a>	Mounting S
30	22001116	Not Available	TUB, OUTER (STACK)
31	<a href="#">211100</a>		Washer, Outer Tub
32	<a href="#">214434</a>		Spout, Deflector

