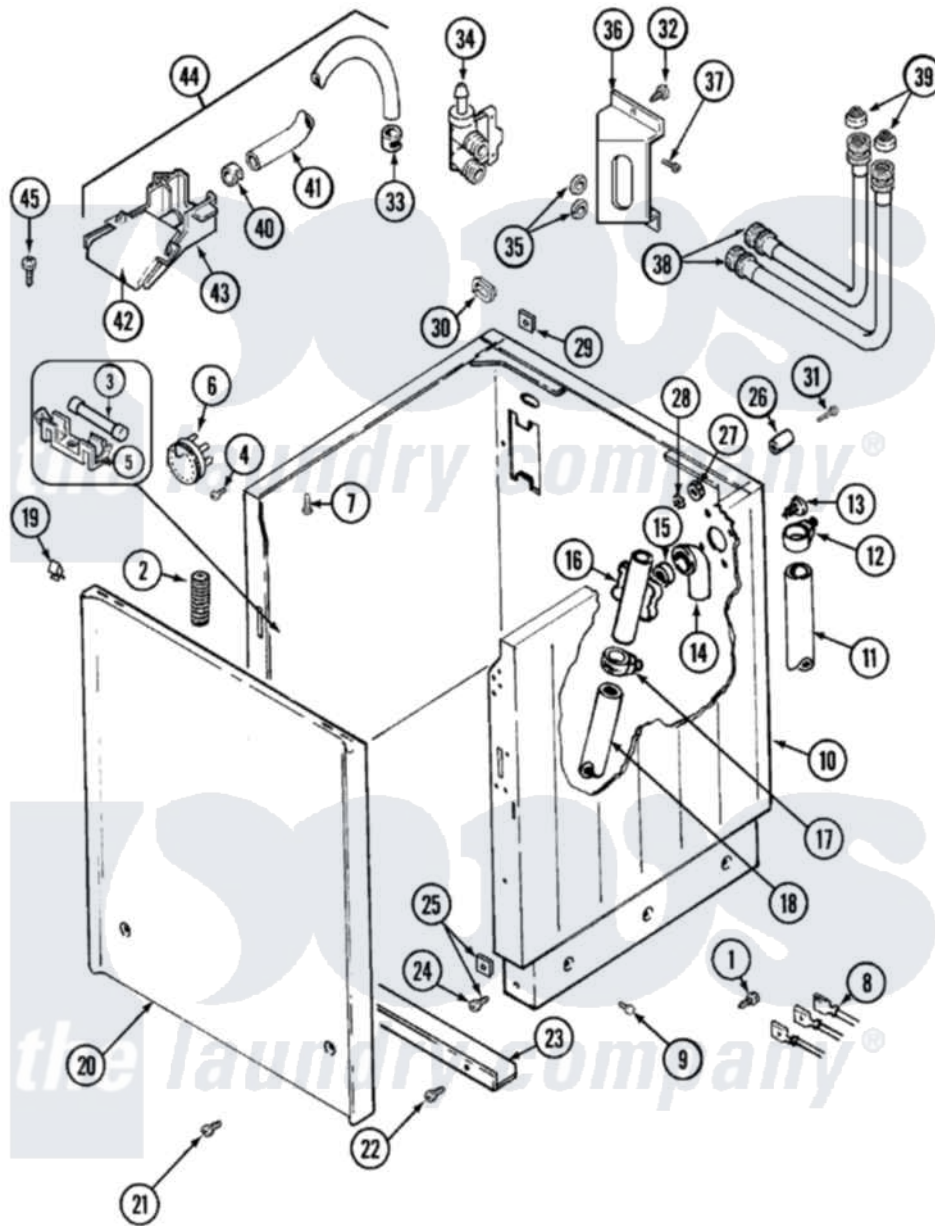


Maytag LSE7806ADQ 02 - CABINET



Maytag Residential Maytag LSE7806ADQ Stacked Washer and Dryer Parts Parts Diagram 02 - CABINET
 Click on the part number to view part

Item	Original Part Number	Replaced By	Status	Part Description
1	Y251119	3177991		Screw
2	211149			Clip, Capacitor
"	Y200832			Capacitor
3	W10124350		Not Available	NOT REQUIRED PART OR SEE NOTE NOT REPLACEABLE (MUST ORDER LID SWITCH ASSY. COMPLETE. REFER TO TOP & LID SECTION FOR CORRECT PART NO.)
"	22001555			Fuse
4	210720			Rivet, Bearing To Tumbler Frnt
5	207167			Block, Fuse
6	208783			Wire Jumper
"	22004231	12002304		Switch-WL
"	207787	12002304		Switch-WL
7	214354			Screw, Top Cover To Cabnt.
8	22001585			Harness, Wire Yfor Cabinet See Cabinet

9	213007		Ator Cabinet See Cabinet, Back
10	22002648		Cabinet, Assembly
11	22001820	285655	Clamp, Hose
"	22001815	22002765	Clip, Hose
"	22001816		Hose, Drain
"	22002700	22003410	Hose, Drain
"	22002701	22003814	Retainer, Drain Hose
12	200908	285655	Clamp, Hose
13	216170	489503	Clamp
14	22001191		Hose, Injector
15	22001187		Injector
16	22001186		Injector
17	22001175		Water Injector Assembly
18	215537		Screw
19	215711		Fastener, Spring
20	22002651		Panel, Front
21	33002351		Screw
22	211294	90767	Screw, 8A X 3/8 HeX Washer Head Tapping
23	213846		Guard, Belt
24	213122	27001200	Screw
25	204439		Screw And Fstner Assembly
26	215276	Y215513	Standoff, Circuit Board
27	310557		Washer
28	Y052659	Y052655	Hex Nut, No.8-32
29	22001009		Clip, Spring
30	215950		(UPPER CABINET)
31	215277	67006908	Screw, Ice Rack
32	212276	W10116760	Screw
33	216169	596669	Clamp, Manifold
34	22002360		Valve, Water
35	Y013783		Washer, Inlet Hose
36	22002374	22002361	Bracket, Water Valve
37	22002372		Screw
38	200672	76314	Hose, Inlet 6 Ft. Hose With Elbow
39	200961	12001413	Strainer And Washer Kit
40	22001192		Glide

the laundry company[®]