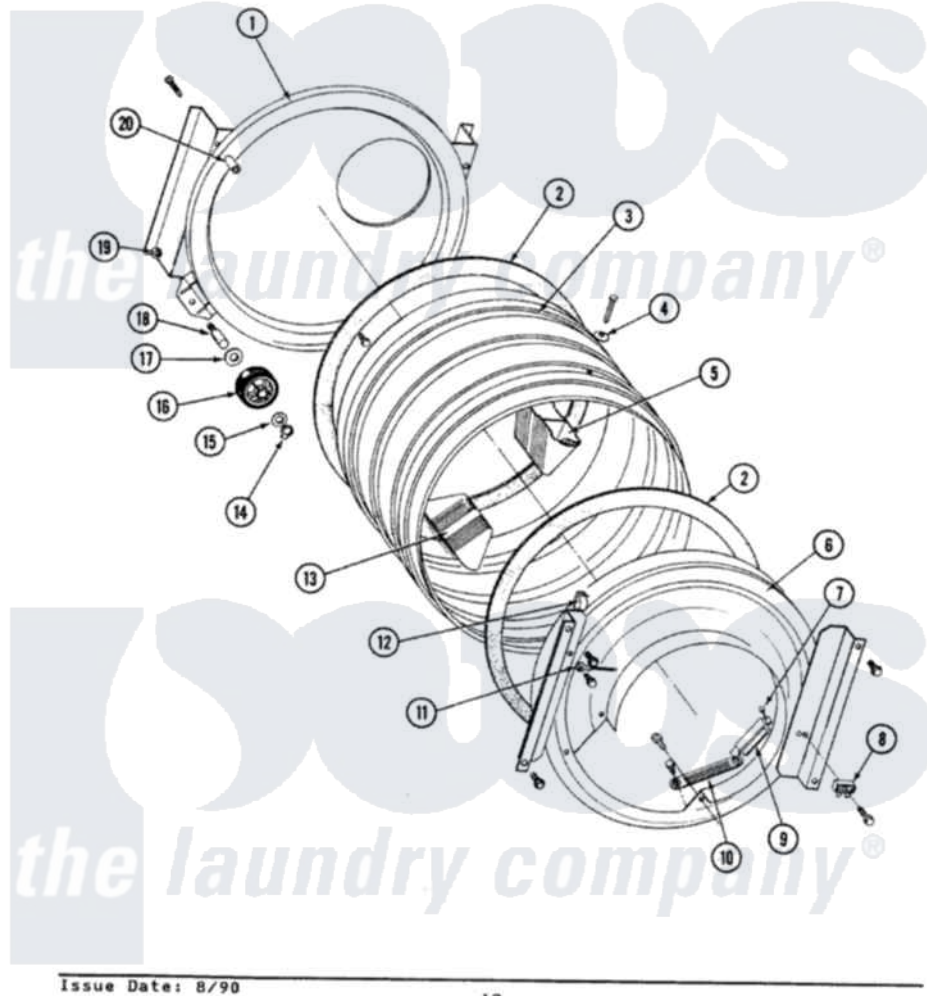


# Maytag LSE9900 11 - TUMBLER (FRONT & BACK)

SECTION: TUMBLER, TUMBLER FRONT & TUMBLER BACK  
 MODEL: SE-S69900



Maytag Residential Maytag LSE9900 Stacked Washer and Dryer Parts Parts Diagram 11 - TUMBLER (FRONT & BACK)  
 Click on the part number to view part

Item	Original Part Number	Replaced By	Status	Part Description
1	Y306660	<a href="#">33001106</a>		Back, Tumbler
"	211294	<a href="#">90767</a>		Screw, 8A X 3/8 HeX Washer Head Tapping
"	313764		Not Available	SCREW
2	<a href="#">314820</a>			Seal, Tumbler
3	<a href="#">Y310759</a>			Screw, Tumbler Baffles
"	Y306664	<a href="#">33001177</a>		Tumbler
"	314805	<a href="#">33001177</a>		Tumbler
4	<a href="#">314158</a>			Washer, Baffle To Tumbler
5	<a href="#">Y310759</a>			Screw, Tumbler Baffles
"	314807		Not Available	TUMBLER BAFFLE - TALL
6	Y314110	<a href="#">33002917</a>		Screw, No.10-16
"	<a href="#">Y313561</a>			Screw---NA
"	Y310632	<a href="#">1163839</a>		Screw
"	<a href="#">306710</a>			Tumbler Front Assembly
7	<a href="#">210720</a>			Rivet, Bearing To Tumbler Frnt
8	<a href="#">306130</a>			Spark Gap Assembly

"	314554		Not Available	SCREW
9	<a href="#">306508</a>			Tumbler Bearing Kit ---W
10	Y251119	<a href="#">3177991</a>		Screw
"	<a href="#">304997</a>			Sensor Assembly With Screws
11	<a href="#">901220</a>			Ground Wire
"	211294	<a href="#">90767</a>		Screw, 8A X 3/8 HeX Washer Head Tapping
12	<a href="#">Y310376</a>			Clip, Door Switch Harness
13	314806		Not Available	TUMBLER BAFFLE - SHORT
"	<a href="#">Y310759</a>			Screw, Tumbler Baffles
14	410233	<a href="#">9703438</a>		Ring-Retrn
15	<a href="#">312535</a>			Washer, Vault Mounting Brk.
16	Y303373	<a href="#">12001541</a>		Drum Roller/Washer Assembly--W
17	Y313347	<a href="#">312535</a>		Washer, Vault Mounting Brk.
18	Y312948	<a href="#">6-3129480</a>		Shaft- Tumbler
19	312538	<a href="#">33001443</a>		Nut, Hex
20	313915	<a href="#">31-3915</a>		Tech Sheet

