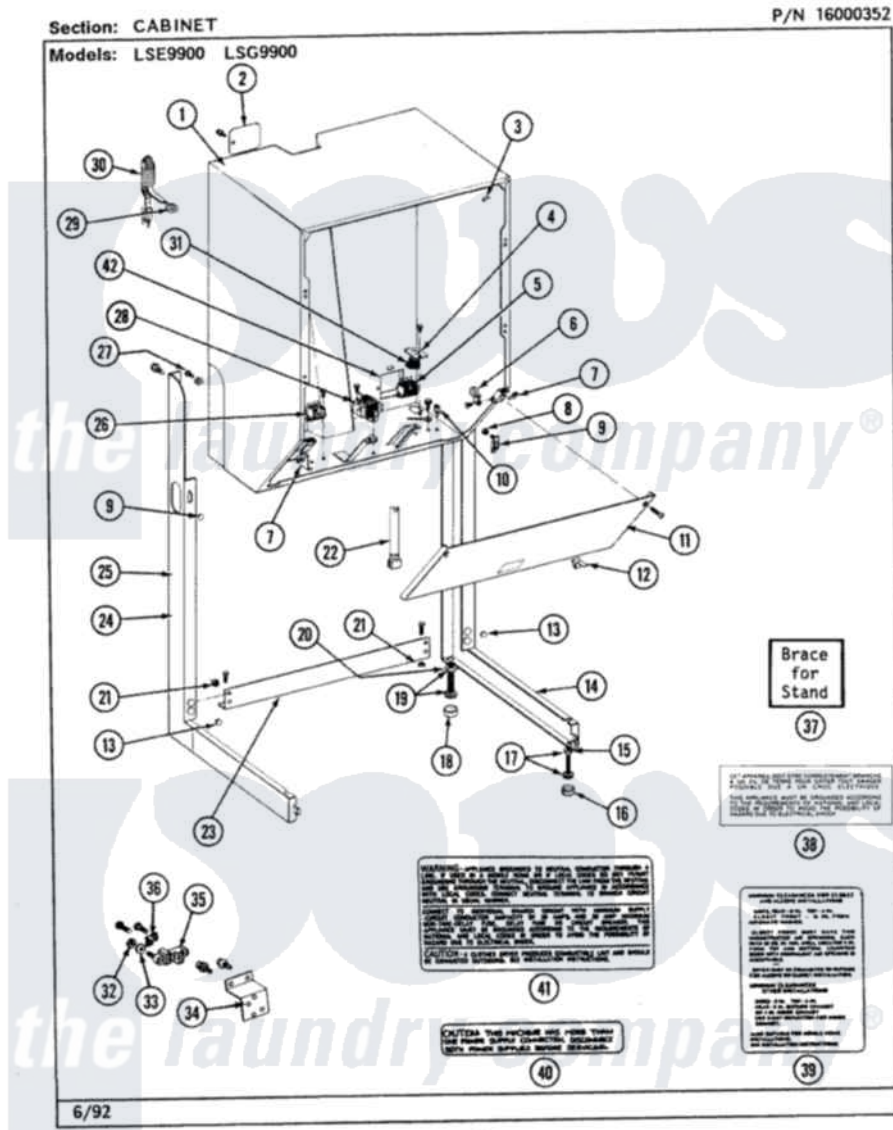


# Maytag LSE990AEE 07 - CABINET



Maytag Residential Maytag LSE990AEE Stacked Washer and Dryer Parts Diagram 07 - CABINET  
Click on the part number to view part

Item	Original Part Number	Replaced By	Status	Part Description
0	<a href="#">400008</a>			Block, Terminal
1	<a href="#">308055</a>			Cabinet
2	<a href="#">Y313561</a>			Screw---NA
"	314470		Not Available	COVER, TERMINAL
3	<a href="#">312548</a>			Fastener-Access Panel To CA
4	211168	<a href="#">W10139210</a>		Screw, 8-18 X 5/16
"	314532		Not Available	MOUNTING BRACKET
5	Y251119	<a href="#">3177991</a>		Screw
"	<a href="#">306199</a>			Relay, Heater
6	Y310632	<a href="#">1163839</a>		Screw
"	212458	<a href="#">W10339879</a>		Tie, Cable
7	<a href="#">215075</a>			Fastener, Control Panel To Console
8	<a href="#">214872</a>			Palnut, End Cap Note: Nut, Lamp Holder
9	<a href="#">314489</a>			Guide, Pin
10	Y313262	<a href="#">W10116752</a>		Retainer-

11	307844		Not Available	ACCESS PANEL (WHT)
"	<a href="#">314477</a>			Screw, Access Panel
12	<a href="#">314482</a>			Fastener, Spring
13	<a href="#">314498</a>			Pad, Dryer Leg
14	306073		Not Available	LEG ASSM, (RT-WHT)
15	Y052740	<a href="#">62739</a>		Nut, Lock
16	<a href="#">Y314137</a>			Foot, Rubber
17	<a href="#">Y305086</a>			Adjustable Leg And Nut
18	<a href="#">210684</a>			Foot, Adjustable Leg
19	Y302699	<a href="#">22003428</a>		Leg, Adjustable
20	<a href="#">210385</a>			Lock Nut For Adjustable Leg
21	<a href="#">Y052721</a>			Nut, Terminal Block Plate
22	306717		Not Available	CNT. HARNESS MICROPROCESSOR
23	314499		Not Available	BRACE
"	<a href="#">214354</a>			Screw, Top Cover To Cabnt.
24	306074		Not Available	LEG ASSM, LEFT-WHITE
25	314663	<a href="#">214354</a>		Screw, Top Cover To Cabnt.
"	<a href="#">Y306110</a>			Stand, Dryer
26	Y251119	<a href="#">3177991</a>		Screw
"	901961	<a href="#">W10133335</a>		Relay, Motor
27	303846	<a href="#">22003781</a>		Screw, Ground Strap
28	<a href="#">306062</a>			Transformer, Lower Dryer Base
"	212276	<a href="#">W10116760</a>		Screw
29	<a href="#">314507</a>			Strain Relief
31	<a href="#">314522</a>			Grommet, Strain Relief
"	211168	<a href="#">W10139210</a>		Screw, 8-18 X 5/16
32	311484	<a href="#">112432</a>		Nut
33	<a href="#">Y311270</a>			Washer, Terminal Block
34	<a href="#">Y313561</a>			Screw----NA
"	<a href="#">Y312904</a>			Bracket, Terminal Block
"	Y310632	<a href="#">1163839</a>		Screw
35	<a href="#">400008</a>			Block, Terminal
"	Y312209	<a href="#">W10001200</a>		Screw
36	<a href="#">Y312184</a>			Strap, Grounding
37	306128		Not Available	BRACE FOR STAND- ACCESSORY
38	214519			LABEL, ELECTRICAL INSTR. PART NOT USED-GAS MODELS ONLY
39	314486		Not Available	LABEL
40	314609		Not Available	CAUTION LABEL
41	314505		Not Available	INSTRUCTION LABEL
42	<a href="#">Y312184</a>			Strap, Grounding
43	<a href="#">Y313561</a>			Screw----NA
"	315275		Not Available	TERMINAL COVER