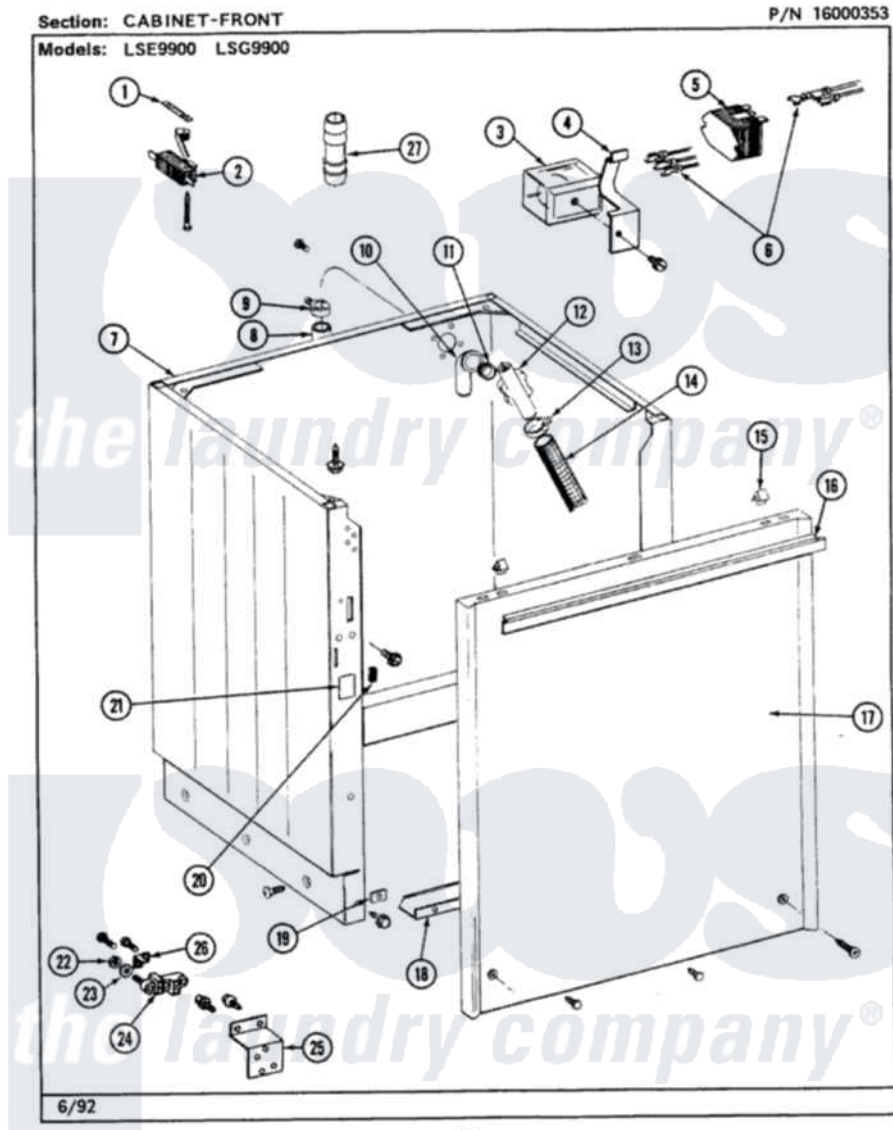


# Maytag LSE990AEE 08 - CABINET (FRONT)



24

Maytag Residential Maytag LSE990AEE Stacked Washer and Dryer Parts Parts Diagram 08 - CABINET (FRONT)  
Click on the part number to view part

| Item | Original Part Number    | Replaced By               | Status        | Part Description               |
|------|-------------------------|---------------------------|---------------|--------------------------------|
| 1    | <a href="#">210866</a>  |                           |               | Nut, Twin Speed                |
| 2    | <a href="#">202476</a>  |                           |               | Unbalance Switch               |
| "    | <a href="#">213501</a>  |                           |               | Screw, No.6-20 X 1-1/8 Inch    |
| 3    | <a href="#">206421</a>  |                           |               | Relay, Motor Reversing         |
| 4    | 212949                  | <a href="#">22001866</a>  |               | Screw, Relay                   |
| "    | <a href="#">215273</a>  |                           |               | Clip, Spring Relay             |
| 5    | 901961                  | <a href="#">W10133335</a> |               | Relay, Motor                   |
| 6    | <a href="#">206423</a>  |                           |               | Lower Wire Harness-AC          |
| 7    | 213122                  | <a href="#">27001200</a>  |               | Screw                          |
| "    | 207207                  |                           | Not Available | CABINET WHT                    |
| "    | <a href="#">213007</a>  |                           |               | Xfor Cabinet See Cabinet, Back |
| 8    | <a href="#">216017</a>  |                           |               | Hose, Drain                    |
| "    | <a href="#">Y059149</a> |                           |               | (7/8" I.D. CARTON OF 50 FT.)   |
| 9    | 200908                  | <a href="#">285655</a>    |               | Clamp, Hose                    |
| "    | 200461                  | <a href="#">285655</a>    |               | Clamp, Hose                    |

|    |                         |                           |   |
|----|-------------------------|---------------------------|---|
| 10 | Y216016                 | <a href="#">W10116738</a> | Elbow                                   |
| 11 | <a href="#">214765</a>  |                           | Gasket, Siphon Break                    |
| 12 | <a href="#">206638</a>  |                           | Siphon Break                            |
| "  | <a href="#">Y014874</a> |                           | Screw, Idler Arm And Sleeve             |
| 13 | 202574                  | <a href="#">3367052</a>   | Clamp, Hose                             |
| 14 | 215365                  | <a href="#">22001448</a>  | Hose, Pump                              |
| 15 | <a href="#">215711</a>  |                           | Fastener, Spring                        |
| 16 | 215266                  |                           | Not Available TRIM, FRONT PANEL         |
| 17 | 213123                  | <a href="#">22001496</a>  | Front Panel Fastener And Screw          |
| 18 | 211294                  | <a href="#">90767</a>     | Screw, 8A X 3/8 HeX Washer Head Tapping |
| "  | <a href="#">213846</a>  |                           | Guard, Belt                             |
| 19 | 213280                  | <a href="#">204439</a>    | Screw And Fstner Assembly               |
| 20 | 214376                  | <a href="#">22002331</a>  | Spacer, Front Panel                     |
| 21 | 314609                  |                           | Not Available CAUTION LABEL             |
| 22 | 311484                  | <a href="#">112432</a>    | Nut                                     |
| 23 | <a href="#">Y311270</a> |                           | Washer, Terminal Block                  |
| 24 | <a href="#">400008</a>  |                           | Block, Terminal                         |
| 25 | <a href="#">Y312904</a> |                           | Bracket, Terminal Block                 |
| 26 | <a href="#">Y312184</a> |                           | Strap, Grounding                        |
| 27 | <a href="#">Y216015</a> |                           | Coupling, Hose                          |

