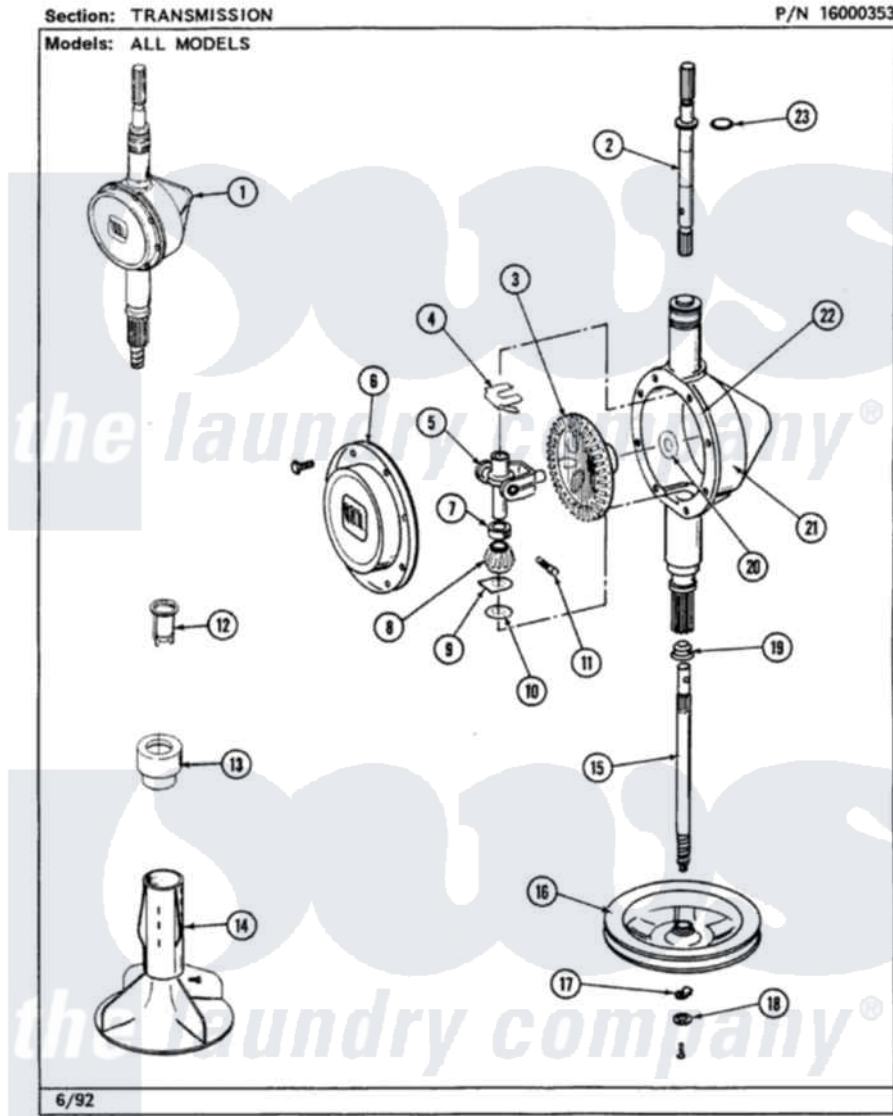


# Maytag LSE990AEE 16 - TRANSMISSION



32

Maytag Residential Maytag LSE990AEE Stacked Washer and Dryer Parts Parts Diagram 16 - TRANSMISSION  
Click on the part number to view part

| Item | Original Part Number    | Replaced By               | Status        | Part Description          |
|------|-------------------------|---------------------------|---------------|---------------------------|
| 1    | 206707                  | <a href="#">6-2097750</a> |               | Trans Dee                 |
| 2    | 207153                  | <a href="#">6-2097820</a> |               | Kit- Shaft                |
| 3    | 206713                  | <a href="#">6-2067130</a> |               | Gear- Beve                |
| 4    | <a href="#">215581</a>  |                           |               | Spring, Agitator Shaft    |
| 5    | 206685                  | <a href="#">6-2066850</a> |               | Yoke                      |
| 6    | <a href="#">206628</a>  |                           |               | Cover, Transmission       |
| "    | 215417                  |                           | Not Available | SCREW, TRANSMISSION COVER |
| 7    | 215415                  |                           | Not Available | COLLAR, LOWER             |
| 8    | 215401                  | <a href="#">W10221114</a> |               | Pinion                    |
| 9    | <a href="#">215395</a>  |                           |               | Plate, Clutch             |
| 10   | 211483                  | <a href="#">6-2114830</a> |               | Washer- SP                |
| 11   | <a href="#">Y206629</a> |                           |               | Pin, Collar               |
| 12   | <a href="#">215733</a>  |                           |               | Dispensing Cup            |
| 13   | <a href="#">215721</a>  |                           |               | Dispensing Cap            |
| 14   | <a href="#">207538</a>  |                           |               | Agitator W/Lock Screw     |
|      |                         |                           |               | SCREW & WASHER FOR        |

|    |                        |                           |                                 |
|----|------------------------|---------------------------|---------------------------------|
| "  | 206478                 | Not Available             | SCREW & WASHER FOR AGITATOR     |
| 15 | 215410                 | <a href="#">12001450</a>  | Ctr Shaft W/Collar Andkeeper-Dp |
| 16 | 211059                 | <a href="#">6-2301530</a> | Pulley                          |
| 17 | <a href="#">211089</a> |                           | Lug, Stop Pulley                |
| "  | 211375                 | <a href="#">681582</a>    | Screw                           |
| 18 | 211090                 | <a href="#">22003555</a>  | Washer, Stop Lug                |
| 19 | 206602                 | <a href="#">207843</a>    | Lip Seal Repair Kit             |
| 20 | <a href="#">215394</a> |                           | Washer, Bevel Gear              |
| 21 | 206624                 | <a href="#">6-2097750</a> | Trans Dee                       |
| 22 | Y058700                | <a href="#">675652</a>    | Adhesive                        |
| 23 | <a href="#">210690</a> |                           | Seal, Rubber                    |

**Howes**  
*the laundry company*<sup>®</sup>

**Howes**  
*the laundry company*<sup>®</sup>

**Howes**  
*the laundry company*<sup>®</sup>