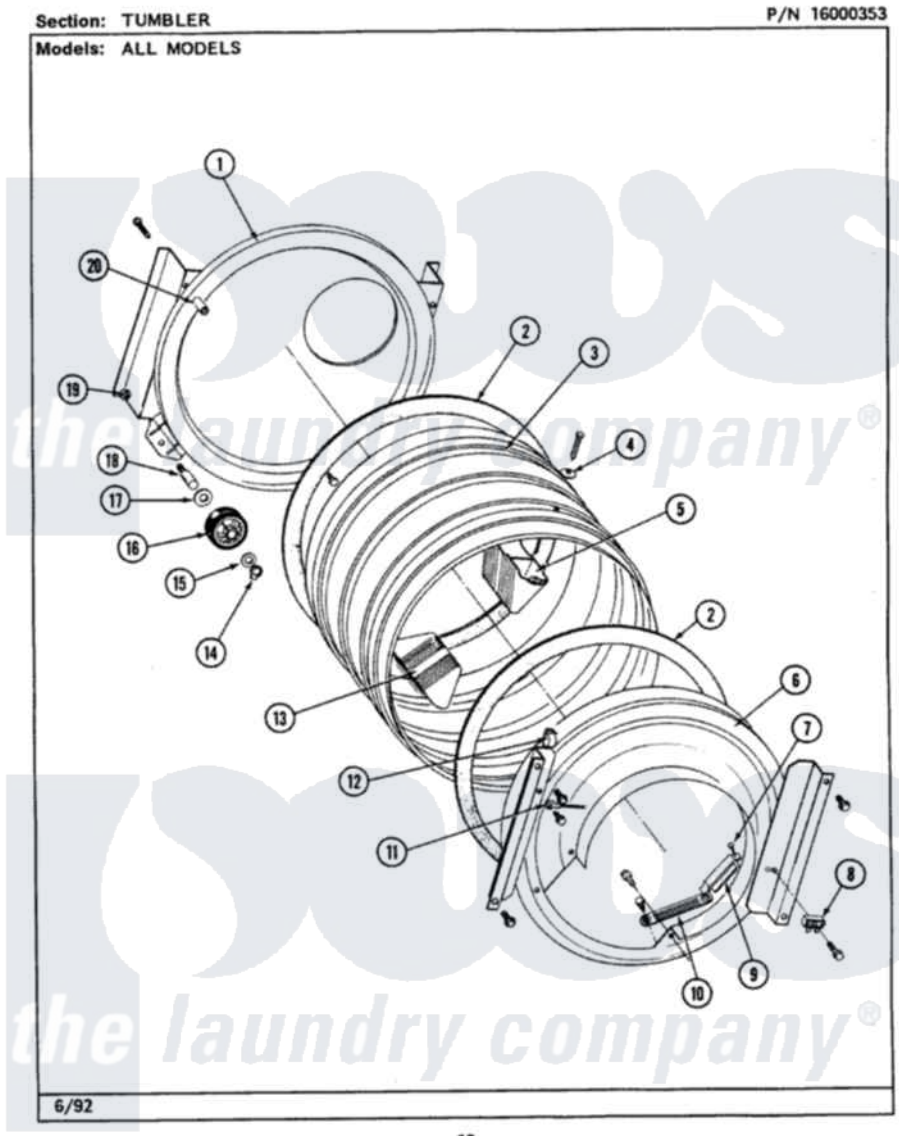


# Maytag LSE9900AEE 20 - TUMBLER (LSE9900AEL,AEW)



Section: TUMBLER  
Models: ALL MODELS

P/N 16000353

6/92

Maytag Residential Maytag LSE9900AEE Stacked Washer and Dryer Parts Parts Diagram 20 - TUMBLER (LSE9900AEL,AEW)

Click on the part number to view part

Item	Original Part Number	Replaced By	Status	Part Description
1	Y306660	<a href="#">33001106</a>		Back, Tumbler
"	313764		Not Available	SCREW
2	<a href="#">314820</a>			Seal, Tumbler
3	Y306664	<a href="#">33001177</a>		Tumbler
"	314805	<a href="#">33001177</a>		Tumbler
"	<a href="#">Y310759</a>			Screw, Tumbler Baffles
4	<a href="#">314158</a>			Washer, Baffle To Tumbler
5	<a href="#">Y310759</a>			Screw, Tumbler Baffles
"	314807		Not Available	TUMBLER BAFFLE - TALL
6	Y310632	<a href="#">1163839</a>		Screw
"	<a href="#">306710</a>			Tumbler Front Assembly
"	<a href="#">Y313561</a>			Screw---NA
"	Y314110	<a href="#">33002917</a>		Screw, No.10-16
7	<a href="#">210720</a>			Rivet, Bearing To Tumbler Frmt
8	<a href="#">306130</a>			Spark Gap Assembly
"	314554		Not Available	SCREW

9	<a href="#">306508</a>		Tumbler Bearing Kit ---W
10	<a href="#">304997</a>		Sensor Assembly With Screws
"	Y251119	<a href="#">3177991</a>	Screw
11	<a href="#">901220</a>		Ground Wire
"	211294	<a href="#">90767</a>	Screw, 8A X 3/8 HeX Washer Head Tapping
12	<a href="#">Y310376</a>		Clip, Door Switch Harness
13	314806	Not Available	TUMBLER BAFFLE - SHORT
"	<a href="#">Y310759</a>		Screw, Tumbler Baffles
14	410233	<a href="#">9703438</a>	Ring-Retrnr
15	<a href="#">312535</a>		Washer, Vault Mounting Brk.
16	Y303373	<a href="#">12001541</a>	Drum Roller/Washer Assembly--W
17	Y313347	<a href="#">312535</a>	Washer, Vault Mounting Brk.
18	Y312948	<a href="#">6-3129480</a>	Shaft- Tumbler
19	312538	<a href="#">33001443</a>	Nut, Hex
20	313945	<a href="#">31-3945</a>	Tech Sheet

