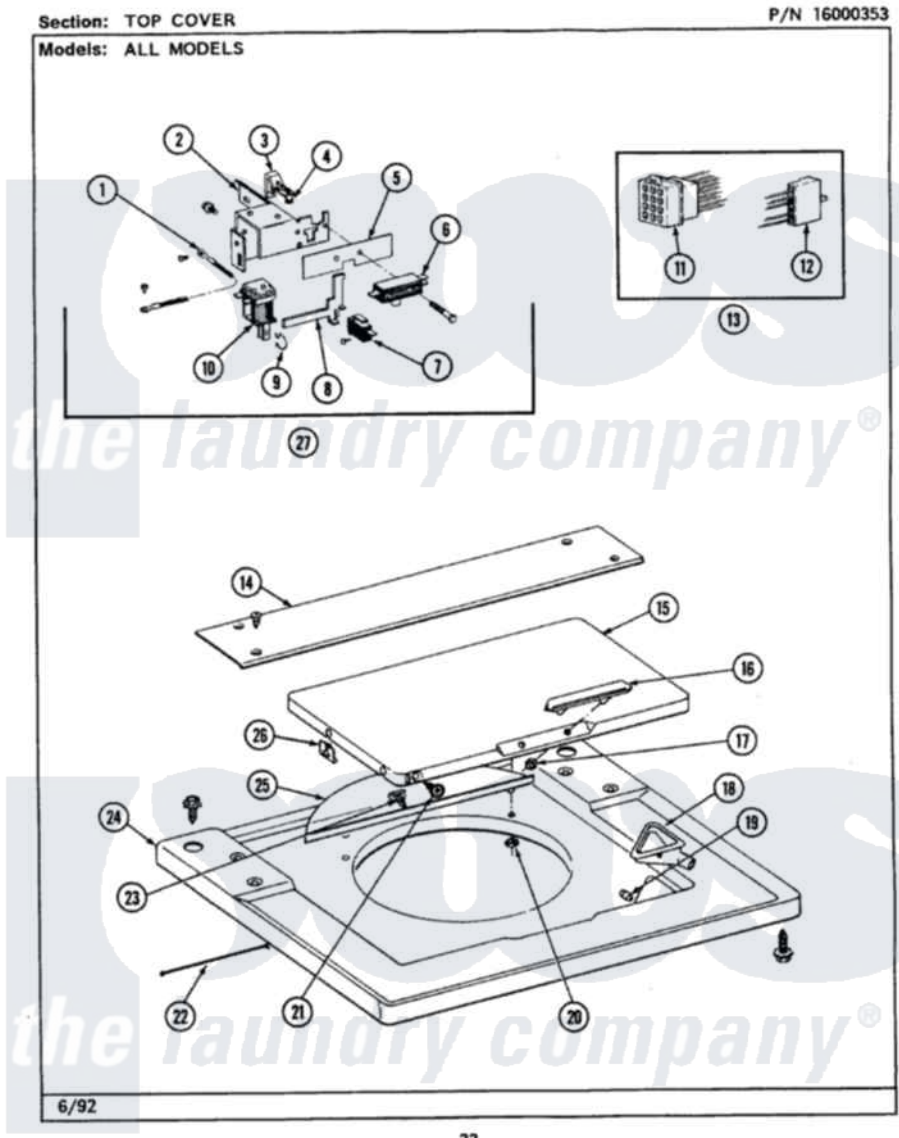


# Maytag LSE9900AFL 11 - TOP COVER (LSE9900AFL,AFW)



Maytag Residential Maytag LSE9900AFL Stacked Washer and Dryer Parts Parts Diagram 11 - TOP COVER (LSE9900AFL,AFW)  
Click on the part number to view part

Item	Original Part Number	Replaced By	Status	Part Description
1	<a href="#">Y313559</a>			Screw
"	<a href="#">204807</a>			Ground Wire, Supp. Plte To Top Cover
"	<a href="#">211252</a>			Screw, Ground Wire
2	215379		Not Available	BRACKET, LID SWITCH/LATCH
3	215378		Not Available	LID SWITCH LEVER
4	213648	<a href="#">98165</a>		Screw
5	<a href="#">215270</a>			Moisture Barrier
6	215381		Not Available	SCREW
"	205415	<a href="#">279347</a>		Switch-Lid
7	206417	<a href="#">10533003</a>		Switch LI
8	215268		Not Available	LID LATCH LEVER
9	<a href="#">215292</a>			Spring For Solenoid
10	<a href="#">212951</a>			Screw, No.6-32 X 1/4 Inch
"	206416		Not Available	SOLENOID

11	<a href="#">215539</a>		Pin Housing
"	213076	Not Available	PIN FOR PLUG
12	206420	Not Available	EDGE CONNECTOR ASSEMBLY
13	<a href="#">206849</a>		D.C. Wire Harness
14	215245L	Not Available	BRIDGE FOR TOP COVER ALMOND
"	314664	<a href="#">212277</a>	Screw, No.8 X 1/2 Inch
15	<a href="#">215251L</a>		Lid-Almond---NA
16	<a href="#">206667</a>		Handle With Nuts
"	<a href="#">215550</a>		Stud For Lid Handle
17	<a href="#">215551</a>		Palnut
18	<a href="#">215580</a>		Cup, Bleach
"	215374	Not Available	GASKET FOR BLEACH CUP
19	215247	Not Available	BUMPER FOR LID
20	<a href="#">215249</a>		Palnut-Retainer
21	<a href="#">211500</a>		Washer, Bracket To Top Cover
"	212087	<a href="#">25-7809</a>	Screw, No.6-20 1/2 Flthd Torx
22	215274	Not Available	TOP COVER RESTRAINT
23	215254	Not Available	LATCH HOOK
24	207579L	Not Available	TOP COVER (ALMOND)
"	<a href="#">214354</a>		Screw, Top Cover To Cabnt.
25	215246	Not Available	SPLASH SHIELD
26	<a href="#">215253</a>		Key Hole Glide
27	<a href="#">207578</a>		Lid Latch Assembly

