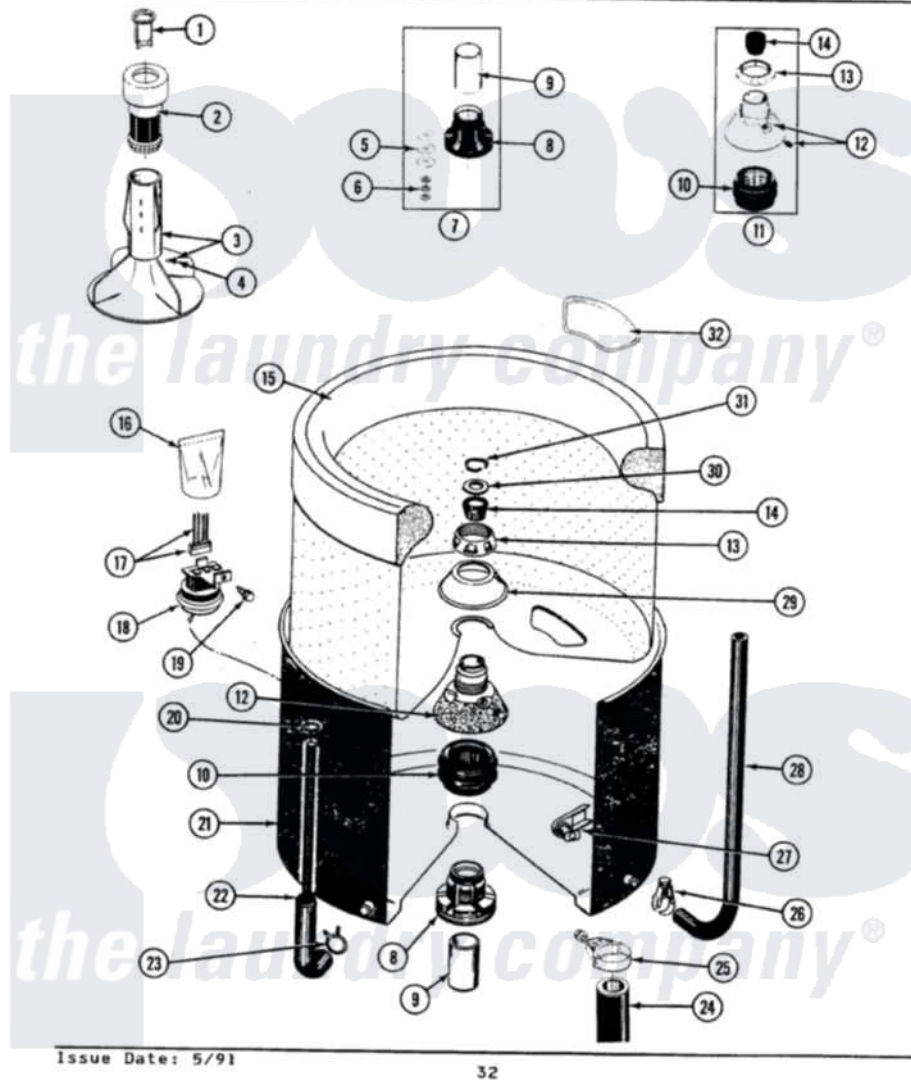


# Maytag LSG1000 12 - INNER/TUB,AGITATOR & WTR LEVEL SWTH

SECTION: INNER TUB, OUTER TUB, AGITATOR & WATER LEVEL SWITCH  
 MODEL: SE-S61000

P/N 56287R1



Maytag Residential Maytag LSG1000 Stacked Washer and Dryer Parts Diagram 12 - INNER/OUTER TUB,AGITATOR & WTR LEVEL SWTH  
 Click on the part number to view part

Item	Original Part Number	Replaced By	Status	Part Description
1	<a href="#">215733</a>			Dispensing Cup
"	212815		Not Available	DISPENSER CUP
2	206823	<a href="#">Y207427</a>		Lint Filter Shallow
"	203320		Not Available	LINT FILTER - DISPENSER
3	205054		Not Available	AGITATOR
"	206843	<a href="#">207538</a>		Agitator W/Lock Screw
4	206478		Not Available	SCREW & WASHER FOR AGITATOR
5	<a href="#">211100</a>			Washer, Outer Tub
6	<a href="#">Y054867</a>			Washer, Lock
7	204013	<a href="#">6-2040130</a>		Tub Bearin
8	200824	<a href="#">6-2040130</a>		Tub Bearin
9	<a href="#">211130</a>			Bearing Liner, Tub Bearing
10	201537	<a href="#">6-2095720</a>		Mounting S
11	204012	<a href="#">6-2095720</a>		Mounting S
12	202521	<a href="#">6-2095720</a>		Mounting S

13	211047	<a href="#">6-2110472</a>	Nut- Clamp
14	Y0A4298	<a href="#">6-0A57420</a>	Seal- Agitator
15	207830		Not Available
16	<a href="#">215081</a>		Poly Bag
17	<a href="#">206422</a>		Wire Harness-DC
"	<a href="#">206849</a>		D.C. Wire Harness
18	<a href="#">206418</a>		Water Level Switch-Digital
19	<a href="#">Y313559</a>		Screw
20	410296	<a href="#">596669</a>	Clamp, Manifold
21	<a href="#">206405</a>		Outer Tub
22	215258	<a href="#">22001616</a>	Tube, Air
23	<a href="#">211641</a>		Clamp, 1-1/16"
24	<a href="#">213045</a>		Hose, Outer Tub Part Not Used
25	200900	<a href="#">616099</a>	Clamp
26	205161	<a href="#">489503</a>	Clamp
27	<a href="#">214434</a>		Spout, Deflector
28	<a href="#">214495</a>		Tube, Inlet To Tub
29	<a href="#">211210</a>		Washer, Clamping Nut
30	<a href="#">Y015666</a>		Washer, Retaining -
31	<a href="#">Y015667</a>		Retaining Ring
32	<a href="#">215980</a>		Plug, Filter Hole

