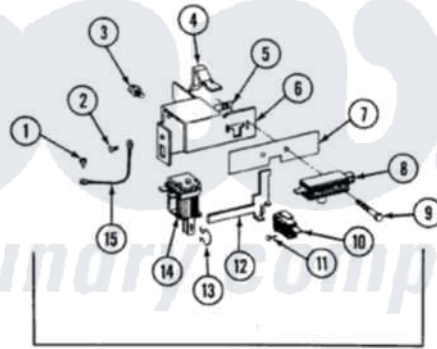


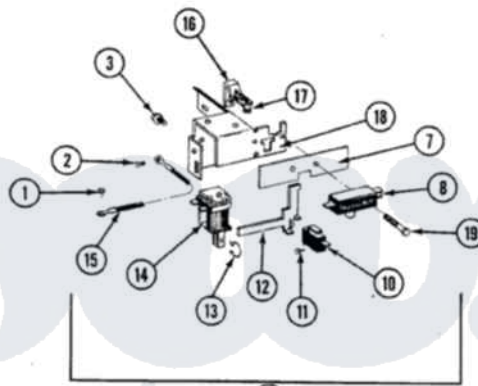
Maytag LSG1000 13 - LID LOCK ASSEMBLY

SECTION: LID LOCK ASSEMBLY
 MODEL: SE-S61000

P/N 56287R1



PRIOR TO SERIES 01



SERIES 01

Issue Date: 5/91

Maytag [Residential Maytag LSG1000 Stacked Washer and Dryer Parts](#) Parts Diagram 13 - LID LOCK ASSEMBLY
 Click on the part number to view part

Item	Original Part Number	Replaced By	Status	Part Description
1	Y313559			Screw
2	211252			Screw, Ground Wire
3	212951			Screw, No.6-32 X 1/4 Inch
4	215269		Not Available	LID SWITCH LEVER
5	210866			Nut, Twin Speed
6	211000			SCREW, BRAKE DRUM (HEX HEAD)
"	207848		Not Available	LID SWITCH & LATCH BRACKET-NA
7	215270			Moisture Barrier
8	206415			Switch, Lid
9	213501			Screw, No.6-20 X 1-1/8 Inch
"	211500			Washer, Bracket To Top Cover
10	206417	10533003		Switch LI
11	912012	3400409		Screw
12	215268		Not Available	LID LATCH LEVER
13	215292			Spring For Solenoid

14	206416	Not Available	SOLENOID
15	204807		Ground Wire, Supp. Plte To Top Cover
16	215378	Not Available	LID SWITCH LEVER
17	213648	98165	Screw
18	215379	Not Available	BRACKET, LID SWITCH/LATCH
19	215381	Not Available	SCREW
20	206598	Not Available	LID LATCH ASSEMBLY

