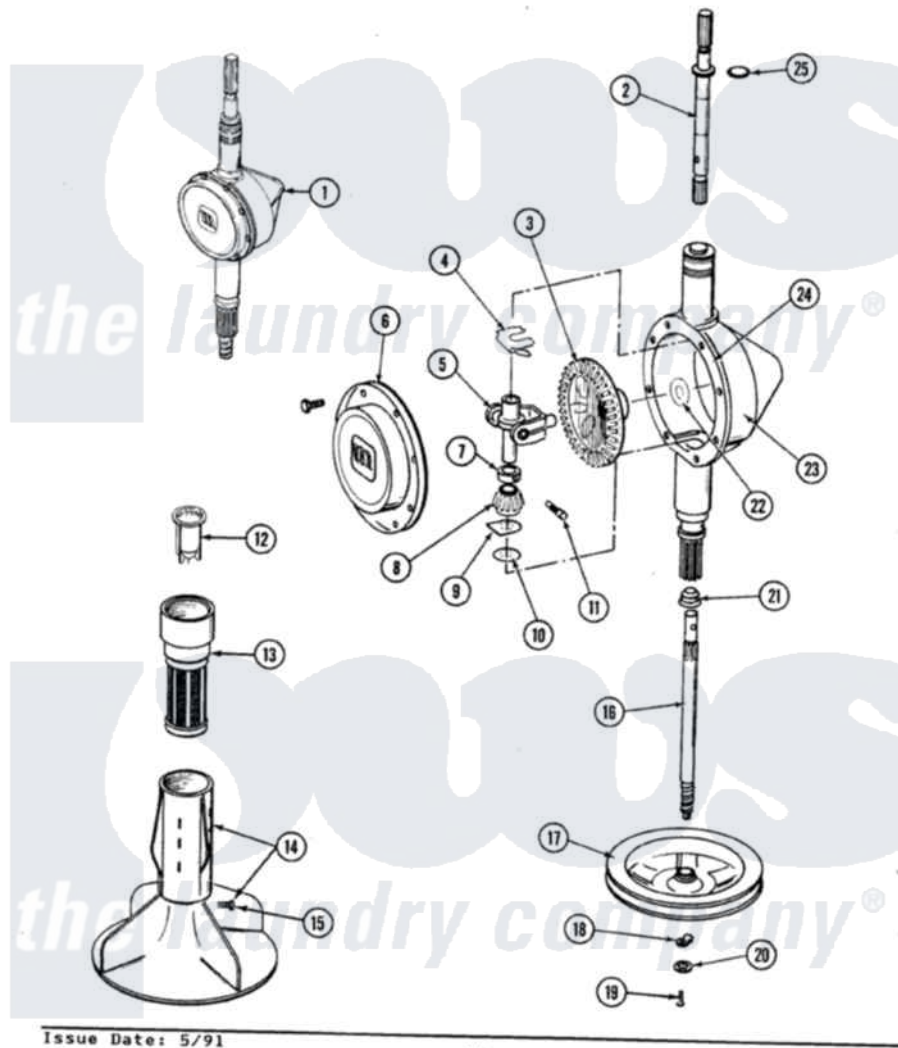


Maytag LSG1000 17 - TRANSMISSION-ORBITAL

SECTION: TRANSMISSION-ORBITAL
 MODEL: SE-SG1000

P/N 56287R1



Issue Date: 5/91

36

Maytag Residential Maytag LSG1000 Stacked Washer and Dryer Parts Diagram 17 - TRANSMISSION-ORBITAL
 Click on the part number to view part

Item	Original Part Number	Replaced By	Status	Part Description
1	206707	6-2097750		Trans Dee
2	207153	6-2097820		Kit- Shaft
3	206713	6-2067130		Gear- Beve
4	215581			Spring, Agitator Shaft
5	206685	6-2066850		Yoke
6	206628			Cover, Transmission
"	215417		Not Available	SCREW, TRANSMISSION COVER
7	215415		Not Available	COLLAR, LOWER
8	215401	W10221114		Pinion
9	215395			Plate, Clutch
10	211483	6-2114830		Washer- SP
11	Y206629			Pin, Collar
12	215533	215733		Dispensing Cup
13	206823	Y207427		Lint Filter Shallow
14	206843	207538		Agitator W/Lock Screw
				SCREW & WASHER FOR

15	206478	Not Available	SCREW & WASHER FOR AGITATOR
16	215410	12001450	Ctr Shaft W/Collar Andkeeper-Dp
17	211059	6-2301530	Pulley
18	211089		Lug, Stop Pulley
19	211375	681582	Screw
20	211090	22003555	Washer, Stop Lug
21	206602	207843	Lip Seal Repair Kit
22	215394		Washer, Bevel Gear
23	206624	6-2097750	Trans Dee
24	Y058700	675652	Adhesive
25	210690		Seal, Rubber

Howes
the laundry company[®]

Howes
the laundry company[®]

Howes
the laundry company[®]