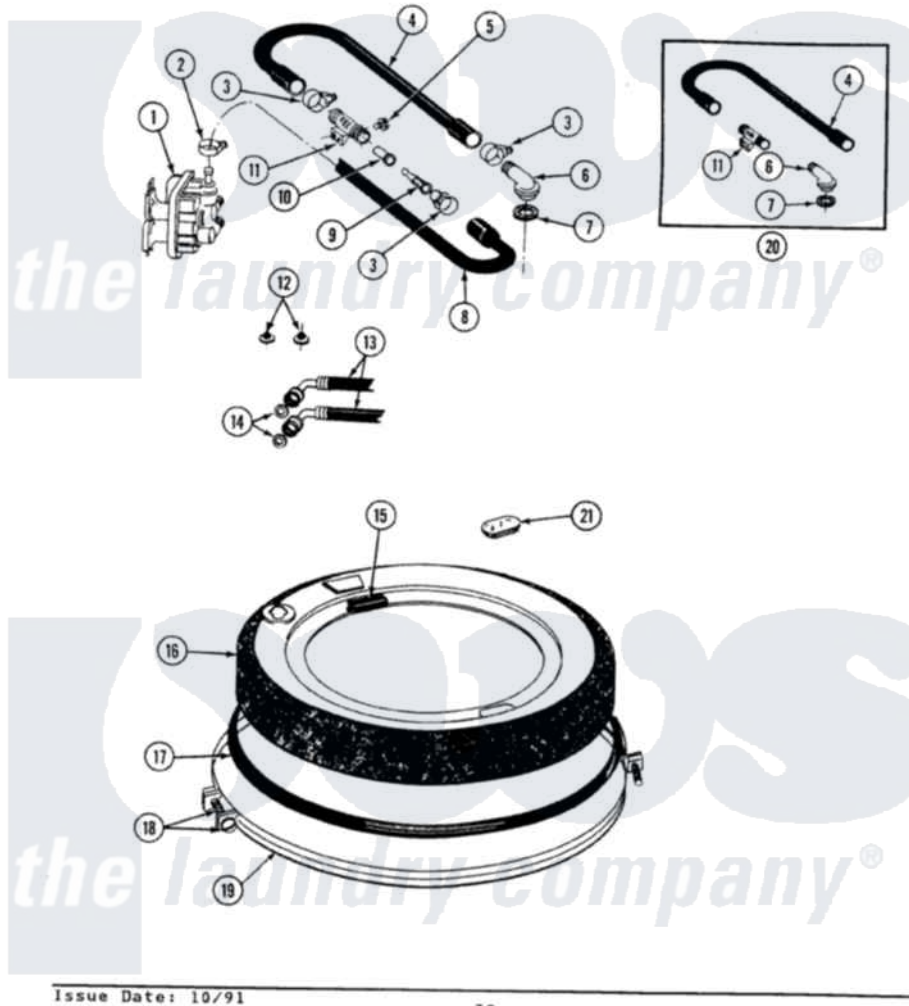


# Maytag LSG1000 18 - TUB COVER, WATER VALVE & WATER INJ. ASSY

SECTION: TUB COVER, WATER VALVE & WATER INJECTOR ASSEMBLY  
 MODEL: SE-SG1000

P/N 56287R2



Issue Date: 10/91

30

Maytag Residential Maytag LSG1000 Stacked Washer and Dryer Parts Parts Diagram 18 - TUB COVER, WATER VALVE & WATER INJ. ASSY  
 Click on the part number to view part

Item	Original Part Number	Replaced By	Status	Part Description
1	<a href="#">206413</a>			Water Valve-DC
2	<a href="#">201575</a>			Clamp, Hose
3	202515	<a href="#">596669</a>		Clamp, Manifold
4	<a href="#">Y215234</a>			Hose, Injector Fill
5	Y310632	<a href="#">1163839</a>		Screw
6	<a href="#">215235</a>			Tube, Injector
7	<a href="#">215233</a>			Seal For Injector Tube
8	<a href="#">213013</a>			Hose, Injector
9	<a href="#">213015</a>			Nozzle, Injector
10	213016	<a href="#">216201</a>		Nozzle
11	213057	<a href="#">22213057</a>		Sleeve- In
12	200961	<a href="#">12001413</a>		Strainer And Washer Kit
13	200672	<a href="#">76314</a>		Hose, Inlet 6 Ft. Hose With Elbow
14	<a href="#">Y013783</a>			Washer, Inlet Hose
15	<a href="#">215232</a>			Bumper, Unbalance

16	206406	Not Available	TUB COVER ASSEMBLY
17	<a href="#">211232</a>		Seal, Tub Cover
18	<a href="#">205529</a>		Nut And Bolt Kit For Tub Clam
19	<a href="#">200846</a>		Clamp - Tub Cover
20	206531	<a href="#">W10276607</a>	Hose
21	211723	Not Available	WINDOW FOR TUB

