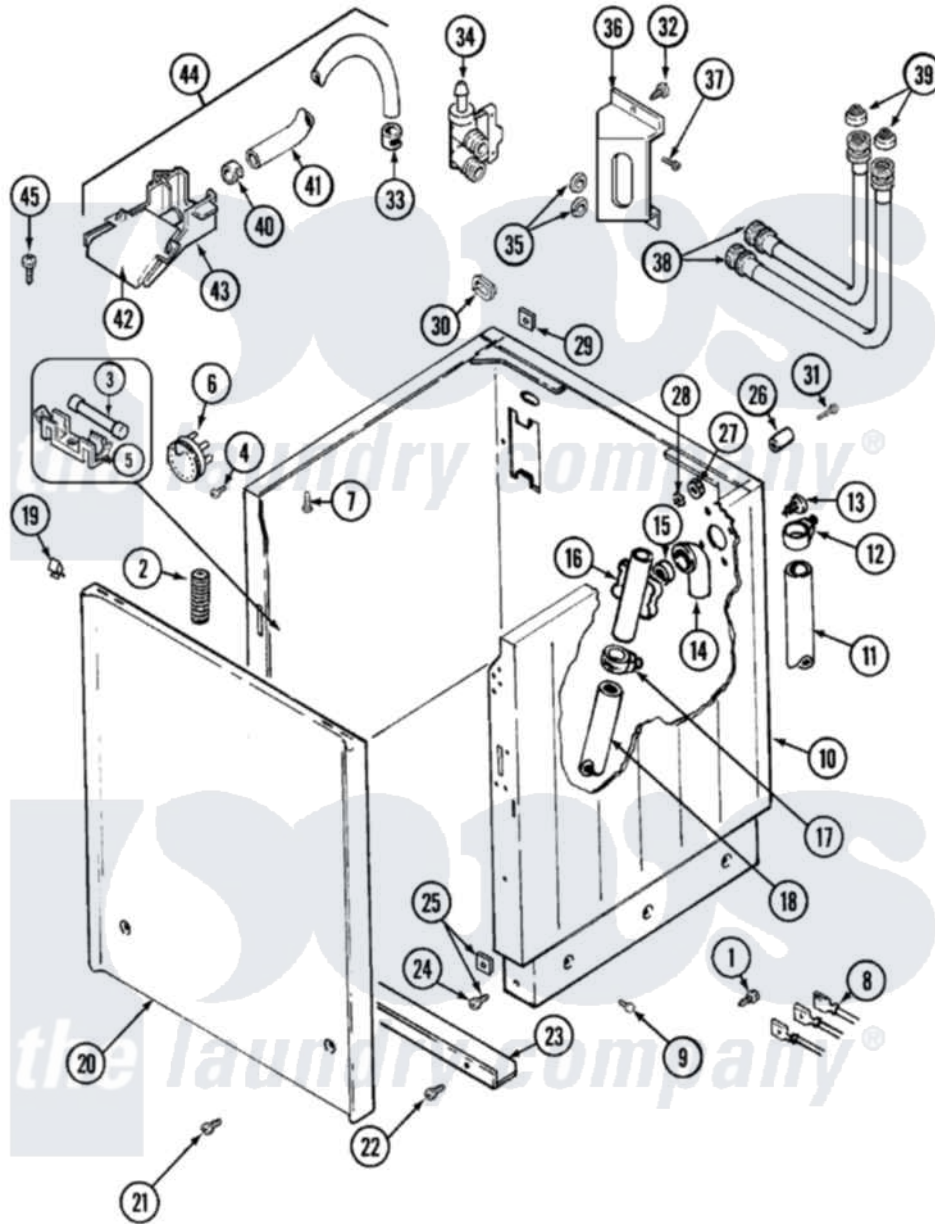


Maytag LSG7804ABE 02 - CABINET



Maytag [Residential Maytag LSG7804ABE Stacked Washer and Dryer Parts](#) Parts Diagram 02 - CABINET
 Click on the part number to view part

Item	Original Part Number	Replaced By	Status	Part Description
1	Y251119	3177991		Screw
2	211149			Clip, Capacitor
"	Y200832			Capacitor
3	W10124350		Not Available	NOT REQUIRED PART OR SEE NOTE NOT REPLACEABLE (MUST ORDER LID SWITCH ASSY. COMPLETE. REFER TO TOP & LID SECTION FOR CORRECT PART NO.)
4	210720			Rivet, Bearing To Tumbler Frmt
5	207167			Block, Fuse
6	22004231	12002304		Switch-WL
"	207787	12002304		Switch-WL
"	208783			Wire Jumper
7	214354			Screw, Top Cover To Cabnt.
8	22001271			Harness, Wire
"	22001428		Not Available	WIRE HARNESS, MAIN (UPR)

9	213007		Xfor Cabinet See Cabinet, Back
10	22001065	22002133	Cabinet
11	Y059149		(7/8" I.D. CARTON OF 50 FT.)
"	216017		Hose, Drain
12	200908	285655	Clamp, Hose
13	Y014874		Screw, Idler Arm And Sleeve
14	Y216016	W10116738	Elbow
15	214765		Gasket, Siphon Break
16	206638		Siphon Break
17	202574	3367052	Clamp, Hose
18	215365	22001448	Hose, Pump
19	215711		Fastener, Spring
20	207205		Panel, Front
21	213123	22001496	Front Panel Fastener And Screw
"	22001898		Screw
22	211294	90767	Screw, 8A X 3/8 HeX Washer Head Tapping
23	213846		Guard, Belt
24	213122	27001200	Screw
25	204439		Screw And Fstner Assembly
26	215276	Y215513	Standoff, Circuit Board
27	310557		Washer
28	Y052659	Y052655	Hex Nut, No.8-32
29	22001009		Clip, Spring
30	215950		(UPPER CABINET)
31	215277	67006908	Screw, Ice Rack
32	212276	W10116760	Screw
33	216169	596669	Clamp, Manifold
34	22001274		Valve, Water
35	Y013783		Washer, Inlet Hose
36	215264	22002371	Bracket
37	Y313561		Screw---NA
38	200672	76314	Hose, Inlet 6 Ft. Hose With Elbow
39	200961	12001413	Strainer And Washer Kit
40	216170	489503	Clamp
41	22001191		Hose, Injector
42	22001187		Injector
43	22001186		Injector
44	22001175		Water Injector Assembly
45	215537		Screw
46	22001192		Glide