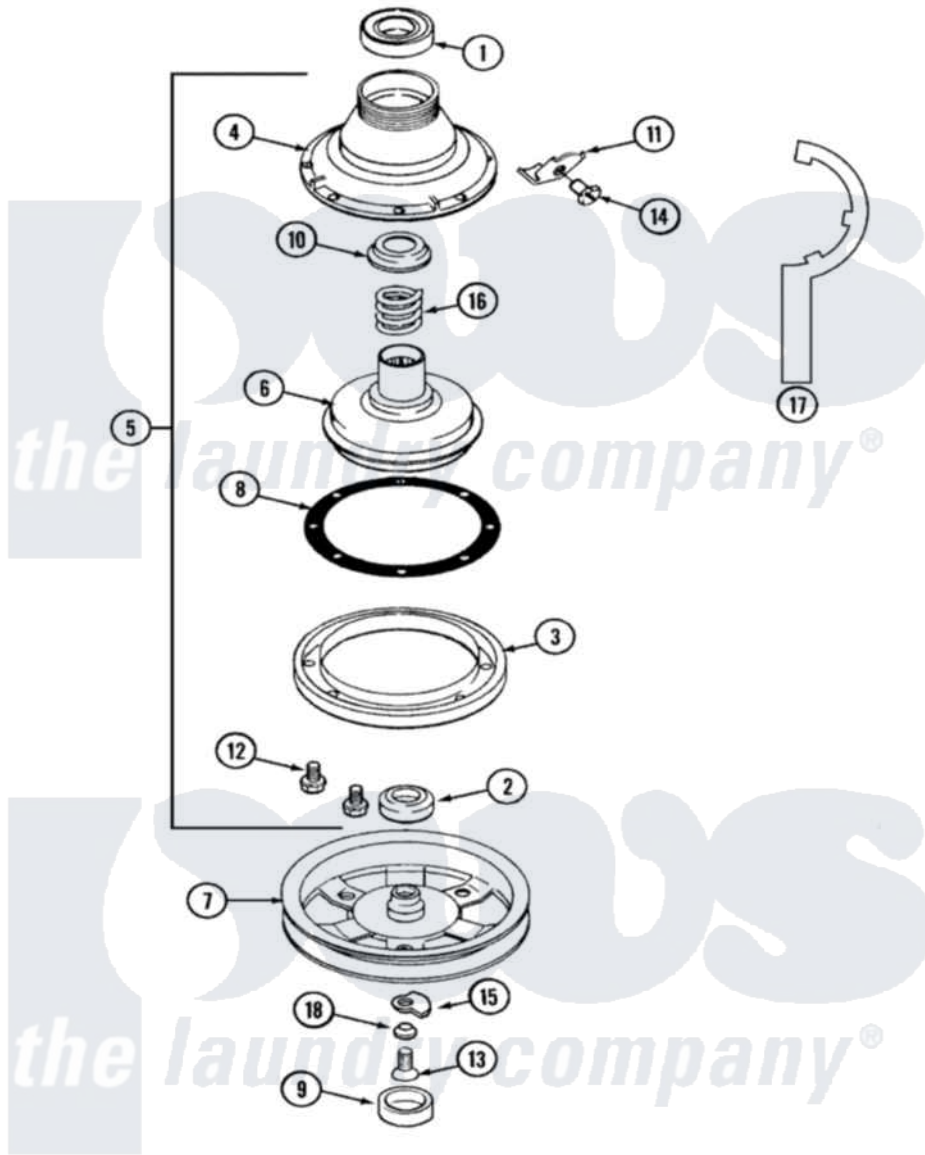


# Maytag LSG7806AAM 04 - CLUTCH & BRAKE



Maytag [Residential Maytag LSG7806AAM Stacked Washer and Dryer Parts](#) Parts Diagram 04 - CLUTCH & BRAKE  
 Click on the part number to view part

Item	Original Part Number	Replaced By	Status	Part Description
1	Y200720	<a href="#">22003441</a>		Bearing, Rear
2	<a href="#">200835</a>			Bearing, Brake Rotor
3	211043	<a href="#">6-2011900</a>		Brake Asse
4	211045	<a href="#">6-2011900</a>		Brake Asse
5	201190	<a href="#">6-2011900</a>		Brake Asse
"	Y038315	<a href="#">038315</a>		Tool
6	201126	<a href="#">6-2011900</a>		Brake Asse
7	211059	<a href="#">6-2301530</a>		Pulley
"	22002431	<a href="#">6-2301550</a>		Pulley Assembly
8	211042	<a href="#">6-2011900</a>		Brake Asse
9	211038		Not Available	CAP, OIL RETAINER
"	<a href="#">22002428</a>			Cover, Dust
10	211039	<a href="#">6-2011900</a>		Brake Asse
11	<a href="#">213325</a>			Clip, Retaining
12	211000			SCREW, BRAKE DRUM (HEX HEAD)
13	211375	<a href="#">681582</a>		Screw

14	<a href="#">213326</a>		Bolt, Sems Retaining Clip
15	<a href="#">211089</a>		Lug, Stop Pulley
16	211041	<a href="#">6-2011900</a>	Brake Asse
17	Y038315	<a href="#">038315</a>	Tool
18	211090	<a href="#">22003555</a>	Washer, Stop Lug

