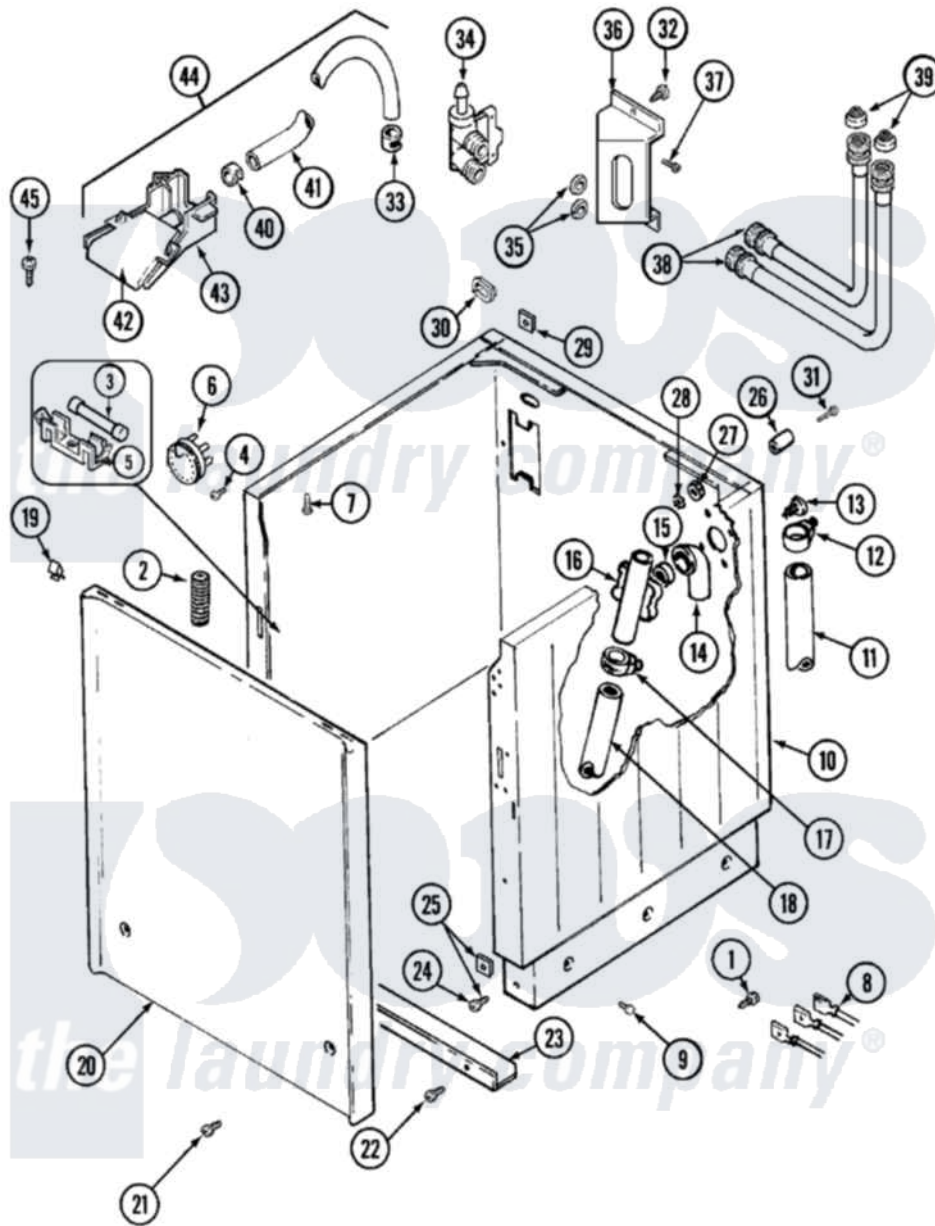


# Maytag LSG7806ABE 02 - CABINET



Maytag [Residential Maytag LSG7806ABE Stacked Washer and Dryer Parts](#) Parts Diagram 02 - CABINET  
 Click on the part number to view part

Item	Original Part Number	Replaced By	Status	Part Description
1	Y251119	<a href="#">3177991</a>		Screw
2	<a href="#">211149</a>			Clip, Capacitor
"	<a href="#">Y200832</a>			Capacitor
3	W10124350		Not Available	NOT REQUIRED PART OR SEE NOTE NOT REPLACEABLE (MUST ORDER LID SWITCH ASSY. COMPLETE. REFER TO TOP & LID SECTION FOR CORRECT PART NO.)
4	<a href="#">210720</a>			Rivet, Bearing To Tumbler Frmt
5	<a href="#">207167</a>			Block, Fuse
6	<a href="#">208783</a>			Wire Jumper
"	207787	<a href="#">12002304</a>		Switch-WL
"	22004231	<a href="#">12002304</a>		Switch-WL
7	<a href="#">214354</a>			Screw, Top Cover To Cabnt.
8	<a href="#">22001941</a>			Harness, Washer
9	<a href="#">213007</a>			Xfor Cabinet See Cabinet, Back

10	<a href="#">22002133</a>		Cabinet
"	22001065	<a href="#">22002133</a>	Cabinet
11	<a href="#">22001816</a>		Hose, Drain
"	22001815	<a href="#">22002765</a>	Clip, Hose
"	<a href="#">Y059149</a>		(7/8" I.D. CARTON OF 50 FT.)
"	22002700	<a href="#">22003410</a>	Hose, Drain
"	<a href="#">216017</a>		Hose, Drain
"	22002701	<a href="#">22003814</a>	Retainer, Drain Hose
"	22001820	<a href="#">285655</a>	Clamp, Hose
12	200908	<a href="#">285655</a>	Clamp, Hose
13	<a href="#">Y014874</a>		Screw, Idler Arm And Sleeve
14	Y216016	<a href="#">W10116738</a>	Elbow
15	<a href="#">214765</a>		Gasket, Siphon Break
16	<a href="#">206638</a>		Siphon Break
17	22001640	<a href="#">285655</a>	Clamp, Hose
18	215365	<a href="#">22001448</a>	Hose, Pump
19	<a href="#">215711</a>		Fastener, Spring
20	<a href="#">207205</a>		Panel, Front
21	<a href="#">22001898</a>		Screw
22	211294	<a href="#">90767</a>	Screw, 8A X 3/8 HeX Washer Head Tapping
23	<a href="#">213846</a>		Guard, Belt
24	213122	<a href="#">27001200</a>	Screw
25	<a href="#">204439</a>		Screw And Fstner Assembly
26	215276	<a href="#">Y215513</a>	Standoff, Circuit Board
27	<a href="#">310557</a>		Washer
28	Y052659	<a href="#">Y052655</a>	Hex Nut, No.8-32
29	<a href="#">22001009</a>		Clip, Spring
30	<a href="#">215950</a>		(UPPER CABINET)
31	215277	<a href="#">67006908</a>	Screw, Ice Rack
32	212276	<a href="#">W10116760</a>	Screw
33	216169	<a href="#">596669</a>	Clamp, Manifold
34	<a href="#">22001274</a>		Valve, Water
"	<a href="#">22002360</a>		Valve, Water
35	<a href="#">Y013783</a>		Washer, Inlet Hose
36	22002374	<a href="#">22002361</a>	Bracket, Water Valve
"	215264	<a href="#">22002371</a>	Bracket
37	<a href="#">Y313561</a>		Screw---NA
"	<a href="#">22002372</a>		Screw
38	200672	<a href="#">76314</a>	Hose, Inlet 6 Ft. Hose With Elbow
39	200961	<a href="#">12001413</a>	Strainer And Washer Kit
40	216170	<a href="#">489503</a>	Clamp
41	<a href="#">22001191</a>		Hose, Injector
42	<a href="#">22001187</a>		Injector
43	<a href="#">22001186</a>		Injector
44	<a href="#">22001175</a>		Water Injector Assembly
45	<a href="#">215537</a>		Screw
46	<a href="#">22001192</a>		Glide
47	<a href="#">Y310376</a>		Clip, Door Switch Harness