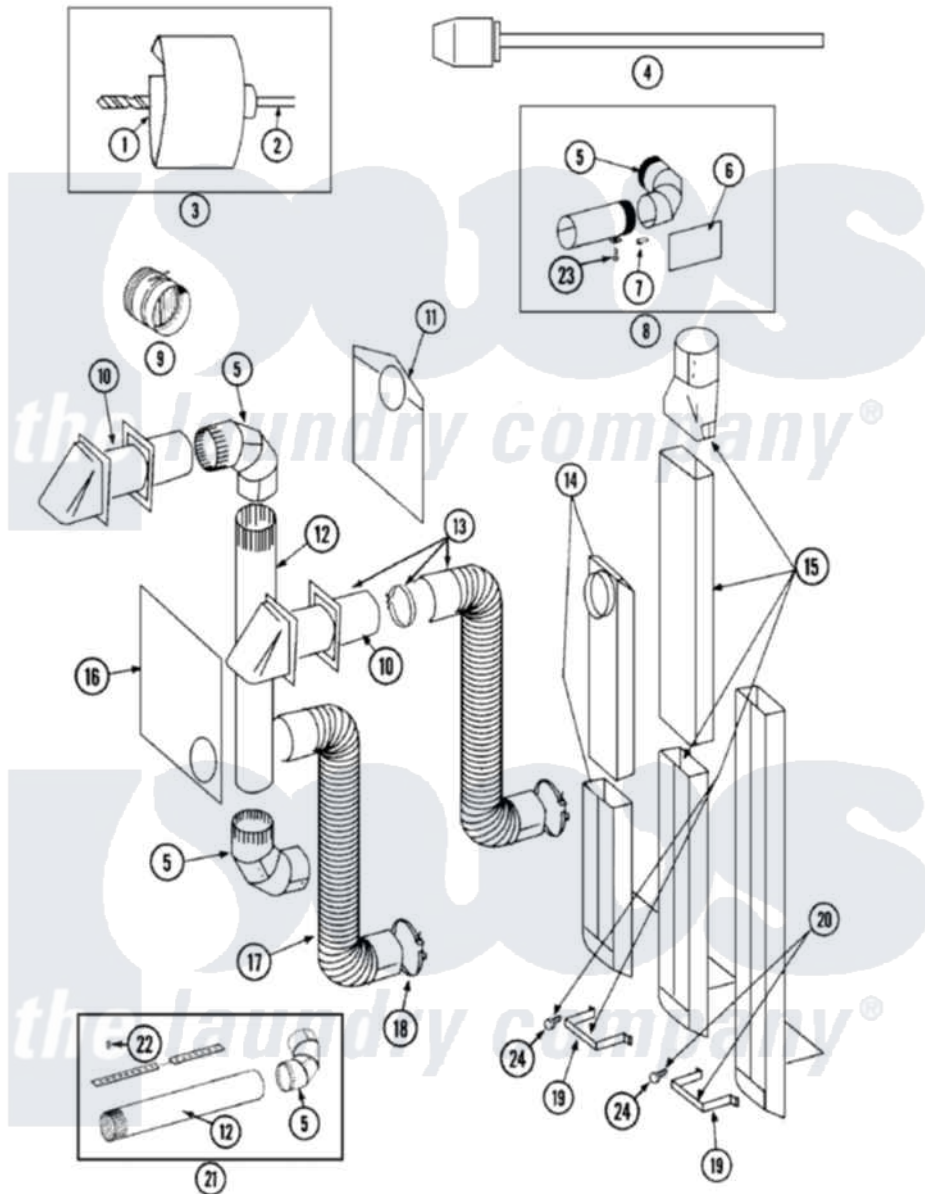


# Maytag LSG7806ABE 06 - DUCTING



Maytag Residential Maytag LSG7806ABE Stacked Washer and Dryer Parts Parts Diagram 06 - DUCTING  
 Click on the part number to view part

Item	Original Part Number	Replaced By	Status	Part Description
1	038179		Not Available	BLADE, SAW
2	038180		Not Available	REPLACEMENT DRILL
3	038766		Not Available	HOLE SAW W/DRILL BIT
4	<a href="#">038767</a>			Extension Chuck, Drill
5	<a href="#">Y059131</a>			Elbow, Venting
6	<a href="#">312302</a>			Insulation, Exhaust Duct Kit
7	<a href="#">213323</a>			Fastener, Exhaust Duct Kit
8	<a href="#">Y304652</a>			Exhaust Duct Kit
9	059146		Not Available	DAMPER, BACK DRAFT
10	Y059129	<a href="#">4396007RW</a>		Vent Hood
11	311353		Not Available	BAG, LINT (DACRON)
12	<a href="#">Y059130</a>			Pipe, Venting
13	<a href="#">Y059143</a>			Flexible Vent Kit
14	<a href="#">Y059135</a>			Vent Duct Assembly
15	059144		Not Available	RECTANGULAR VENT KIT
16	Y059134			PLATE, ALUM. WINDOW (15``X20``)

17	Y304353	<a href="#">4396010RP</a>	6ft Scvent
18	<a href="#">Y304630</a>		Clamp, Flexible Duct
19	<a href="#">313272</a>		Bracket, Exhaust Deflector
20	303736	Not Available	EXHAUST DEFLECTOR KIT
21	306399	Not Available	EXHAUST DEFLECTOR KIT
22	Y251119	<a href="#">3177991</a>	Screw
23	211294	<a href="#">90767</a>	Screw, 8A X 3/8 HeX Washer Head Tapping
24	211294	<a href="#">90767</a>	Screw, 8A X 3/8 HeX Washer Head Tapping

