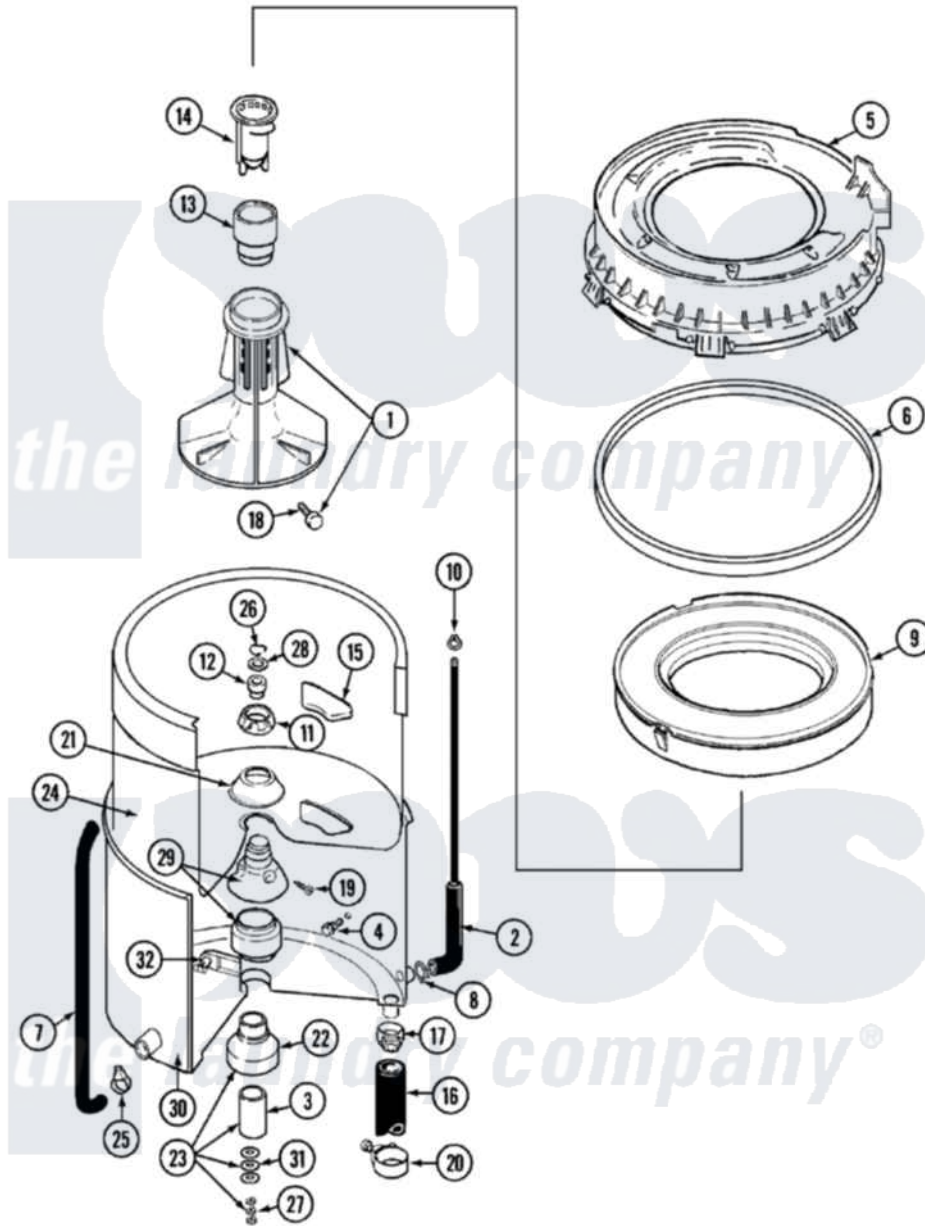


Maytag LSG7806ABQ 14 - TUB (LSG7806ABQ)



Maytag Residential Maytag LSG7806ABQ Stacked Washer and Dryer Parts Parts Diagram 14 - TUB (LSG7806ABQ)
 Click on the part number to view part

| Item | Original Part Number | Replaced By | Status | Part Description |
|------|--------------------------|---------------------------|--------|-------------------------------|
| 1 | 207538 | | | Agitator W/Lock Screw |
| 2 | 22001616 | | | Tube, Air |
| 3 | 211130 | | | Bearing Liner, Tub Bearing |
| 4 | 200744 | W10175939 | | Bolt |
| " | 205254 | W10175938 | | Bolt |
| 5 | 22001299 | | | Tub Cover And Gasket Assembly |
| 6 | 22001007 | | | Gasket, Cover To Tub |
| 7 | 214495 | | | Tube, Inlet To Tub |
| 8 | 211641 | | | Clamp, 1-1/16" |
| 9 | 22001142 | | | Ring, Balance |
| 10 | 410296 | 596669 | | Clamp, Manifold |
| 11 | 211047 | 6-2110472 | | Nut- Clamp |
| 12 | 22001648 | 6-2095720 | | Mounting S |
| 13 | 22001295 | | | Housing, Dispenser |
| 14 | 22001294 | | | Cup, Dispensing |
| 15 | 207219 | | | Filter, Self-Cleaning |

| | | | |
|----|--------------------------|---------------------------|-------------------------------|
| 16 | 213045 | | Hose, Outer Tub Part Not Used |
| 17 | 22001640 | 285655 | Clamp, Hose |
| 18 | 206478 | Not Available | SCREW & WASHER FOR AGITATOR |
| 19 | 22001423 | | Set Screw, Mounting Stem |
| 20 | 22001640 | 285655 | Clamp, Hose |
| 21 | 211210 | | Washer, Clamping Nut |
| 22 | 200824 | 6-2040130 | Tub Bearin |
| 23 | 204013 | 6-2040130 | Tub Bearin |
| 24 | 22001140 | Y2201881 | Tub, Inner Short White SP |
| 25 | 205161 | 489503 | Clamp |
| 26 | Y015667 | | Retaining Ring |
| 27 | Y054867 | | Washer, Lock |
| 28 | Y015666 | | Washer, Retaining - |
| 29 | 22001648 | 6-2095720 | Mounting S |
| 30 | 22001116 | Not Available | TUB, OUTER (STACK) |
| 31 | 211100 | | Washer, Outer Tub |
| 32 | 214434 | | Spout, Deflector |

