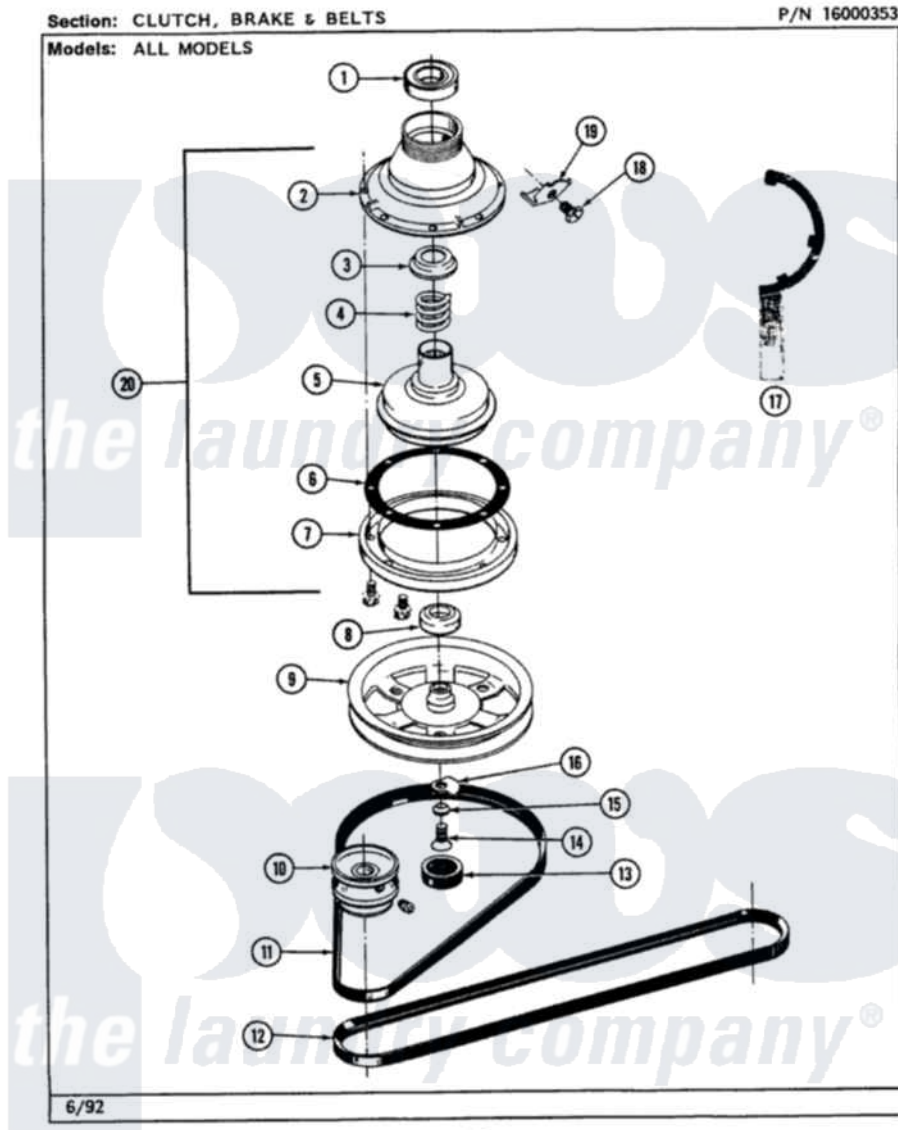


# Maytag LSG9900AAL 09 - CLUTCH, BRAKE & BELTS (LSG9900A & B)



38

Maytag Residential Maytag LSG9900AAL Stacked Washer and Dryer Parts Parts Diagram 09 - CLUTCH, BRAKE & BELTS (LSG9900A & B)

[Click on the part number to view part](#)

Item	Original Part Number	Replaced By	Status	Part Description
1	Y200720	<a href="#">22003441</a>		Bearing, Rear
2	211045	<a href="#">6-2011900</a>		Brake Asse
3	211039	<a href="#">6-2011900</a>		Brake Asse
4	211041	<a href="#">6-2011900</a>		Brake Asse
5	201126	<a href="#">6-2011900</a>		Brake Asse
6	211042	<a href="#">6-2011900</a>		Brake Asse
7	211000			SCREW, BRAKE DRUM (HEX HEAD)
"	211043	<a href="#">6-2011900</a>		Brake Asse
8	<a href="#">200835</a>			Bearing, Brake Rotor
9	211059	<a href="#">6-2301530</a>		Pulley
10	<a href="#">Y053241</a>			Set Screw, Motor Pulley
"	200816	<a href="#">6-2008160</a>		Pulley- MO
11	<a href="#">211125</a>			V Belt, Drive Pulley
12	<a href="#">211124</a>			Part Not Used
13	211038		Not Available	CAP, OIL RETAINER

14	211375	<a href="#">681582</a>	Screw
15	211090	<a href="#">22003555</a>	Washer, Stop Lug
16	<a href="#">211089</a>		Lug, Stop Pulley
17	Y038315	<a href="#">038315</a>	Tool
18	<a href="#">213326</a>		Bolt, Sems Retaining Clip
19	<a href="#">213325</a>		Clip, Retaining
20	201190	<a href="#">6-2011900</a>	Brake Asse

