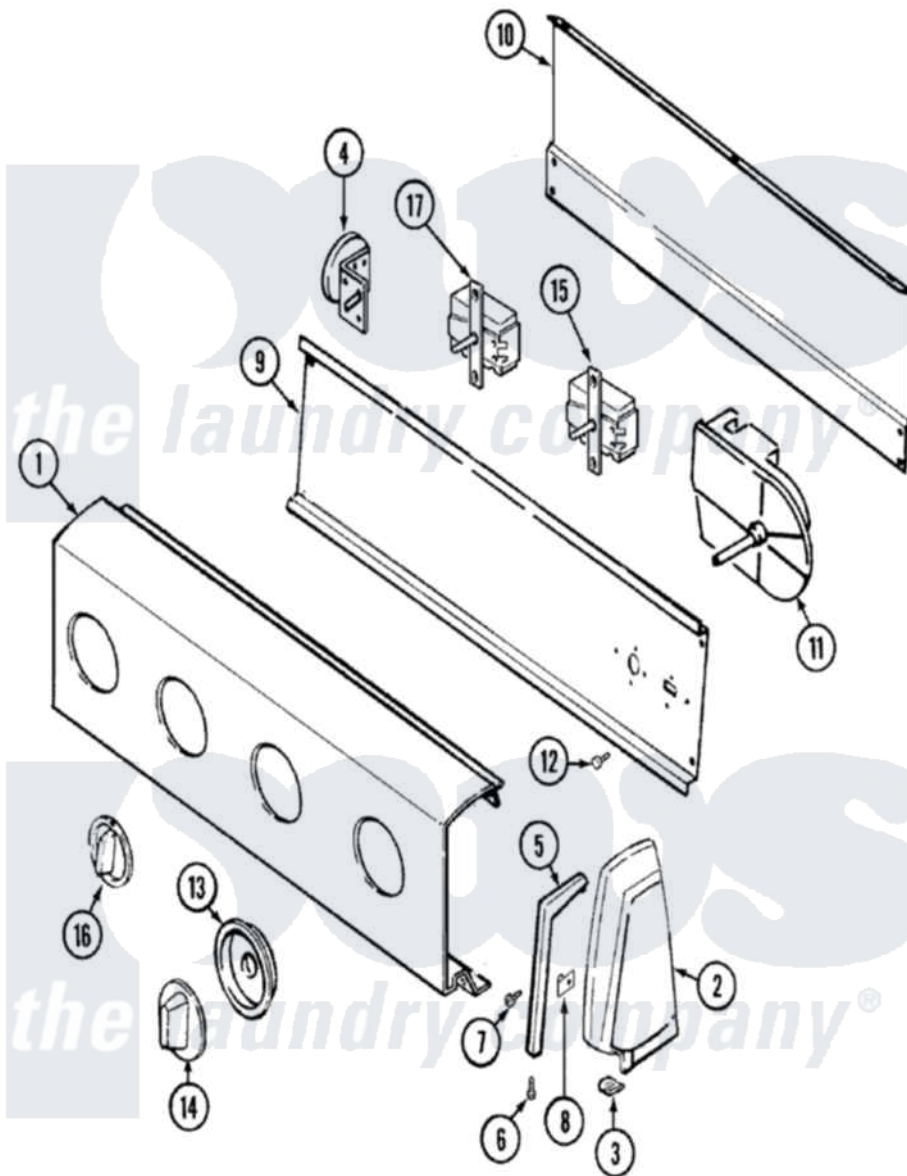


Maytag LWN204GV 02 - CONTROL PANEL



Maytag Residential Maytag LWN204GV Washer Parts Parts Diagram 02 - CONTROL PANEL
 Click on the part number to view part

Item	Original Part Number	Replaced By	Status	Part Description
1	25-7702			Speedclip, End Cap To Control Panel
"	25-7496	25-7760		Screw
"	21001015		Not Available	PANEL, CONTROL
2	35-2668	21001453		Cap- End
"	35-2669		Not Available	CAP, END (LT)(WHT)
3	25-7697	25-2219		Screw
"	25-7851			Speedclip, End Cap To Top
4	25-7435	33002917		Screw, No.10-16
"	35-3691	21001554		Switch, Water Level
5	53-0278		Not Available	TRIM, END CAP (LT)
"	53-0277		Not Available	TRIM, END CAP (RT)
6	25-7760			Screw
7	25-3092	90767		Screw, 8A X 3/8 HeX Washer Head Tapping
8	25-7702			Speedclip, End Cap To Control Panel

9	31001128		Not Available	SHIELD, CONTROL
"	53-2504	31001193		Pad, Shield
"	53-1676			Shield, Control
"	25-3092	90767		Screw, 8A X 3/8 HeX Washer Head Tapping
10	25-3457			Screw, Sems
"	35-2688	21001460		Shield, Rear
"	25-3092	90767		Screw, 8A X 3/8 HeX Washer Head Tapping
11	35-4131			Timer
12	25-0205	216412		Screw, Bracket To Timer
13	35-3965	21001502		Skirt Ri
14	35-2938	21001237		Knob, Timer
15	21001223			Switch, Water Temperature
"	25-3092	90767		Screw, 8A X 3/8 HeX Washer Head Tapping
"	35-3857		Not Available	SWITCH, WATER TEMPERATURE
16	35-2940	21001239		Knob, Selector
17	35-3859			Switch, Speed
"	21001142			Switch, Speed
"	25-3092	90767		Screw, 8A X 3/8 HeX Washer Head Tapping
18	21001033		Not Available	MANUAL, USE & CARE
19	21001038		Not Available	MANUAL, USE & CARE

