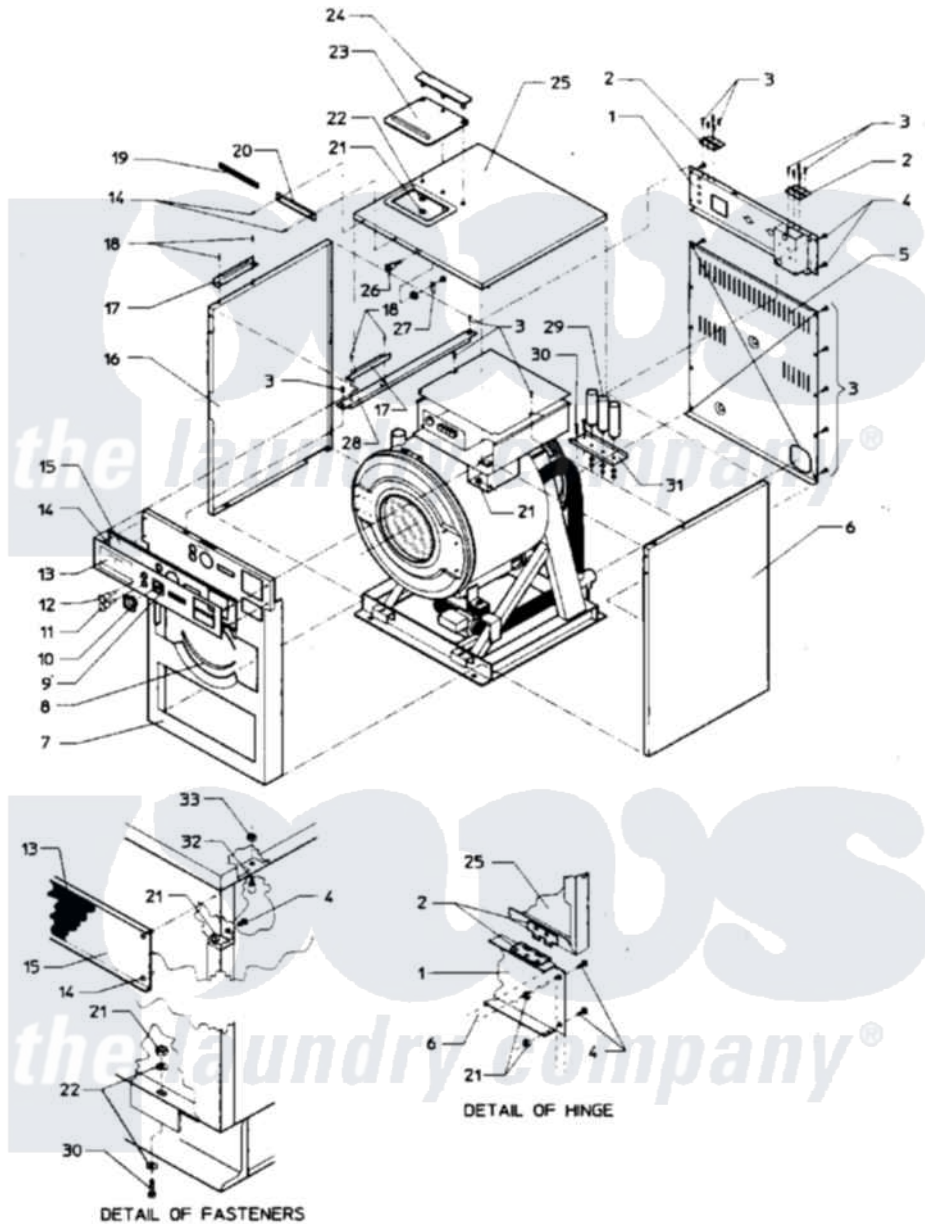


# Maytag MAF35MC4TS 01 - FINAL ASSEMBLY (MAF35MC4Tx)



Maytag Residential Maytag MAF35MC4TS Washer Parts Parts Diagram 01 - FINAL ASSEMBLY (MAF35MC4Tx)  
 Click on the part number to view part

Item	Original Part Number	Replaced By	Status	Part Description
001	24001170		Not Available	PANEL KIT, VALVE
002	24001676		Not Available	HINGE, TOP COVER (NOTE: 18003069 AFTER SERIAL
"	<a href="#">Y24001300</a>			Hinge
003	24001301	<a href="#">67006964</a>		Screw, Glide
004	<a href="#">24001323</a>			Screw
005	24001403		Not Available	KIT, PANEL (REAR)
006	24001159		Not Available	PANEL KIT, SIDE (RT.)35 (AS VIEWED FROM FRONT)
007	24001678	<a href="#">24001694</a>		Panel- FRO
008	24001550	<a href="#">24001532</a>		Trim- Pane
009	24001679		Not Available	DECAL, CYCLE INDICATOR
010	24001680			GLASS, TIMER
011	24001681		Not Available	LIGHT, INDICATOR (RED 110V)
012	24001682		Not Available	LIGHT, INDOCATOR (AMBER 110V)
013	24001684			DECAL, MAYTAG

014	<a href="#">24001533</a>		Rivet, Pop S.s.
015	<a href="#">24002036</a>		Decal, Control Panel
"	NLA	Not Available	PANEL, CONTROL
016	24001157	Not Available	PANEL KIT, SIDE (LT.)35
017	24001539	Not Available	BRACKET, SOAP DISPENSER
018	24001540	Not Available	RIVET, BLIND S.S. (1/8 X 5/16)
019	W10124350	Not Available	PART NUMBER NOT AVAILABLE
020	24001671	Not Available	NAMEPLATE
021	24001510	<a href="#">W10139757</a>	Nut
022	<a href="#">24001295</a>		Lockwasher, S.s.
023	24001219	Not Available	COVER, SOAP DISPENSER
024	<a href="#">24001542</a>		Clamp, Soap Dispenser
025	24001168		KIT ASSY., TOP COVER
026	<a href="#">24001220</a>		Lock, Top Cover
027	<a href="#">24001221</a>		Latch, Top Cover
028	24001690	Not Available	BRACE, TOP
029	<a href="#">24001237</a>		Capacitor
"	<a href="#">24001240</a>		Capacitor
"	<a href="#">24001241</a>		Capacitor W/Res.
"	<a href="#">24001242</a>		Capacitor
030	<a href="#">24001303</a>		Screw
031	24001674	Not Available	BRACKET, CAPACITOR
032	<a href="#">24001305</a>		Nut, Fiberlock
033	<a href="#">24001425</a>		Nut, Fiberlock, Pltd
034	W10124350	Not Available	PART NUMBER NOT AVAILABLE

*the laundry company*<sup>®</sup>

*the laundry company*<sup>®</sup>