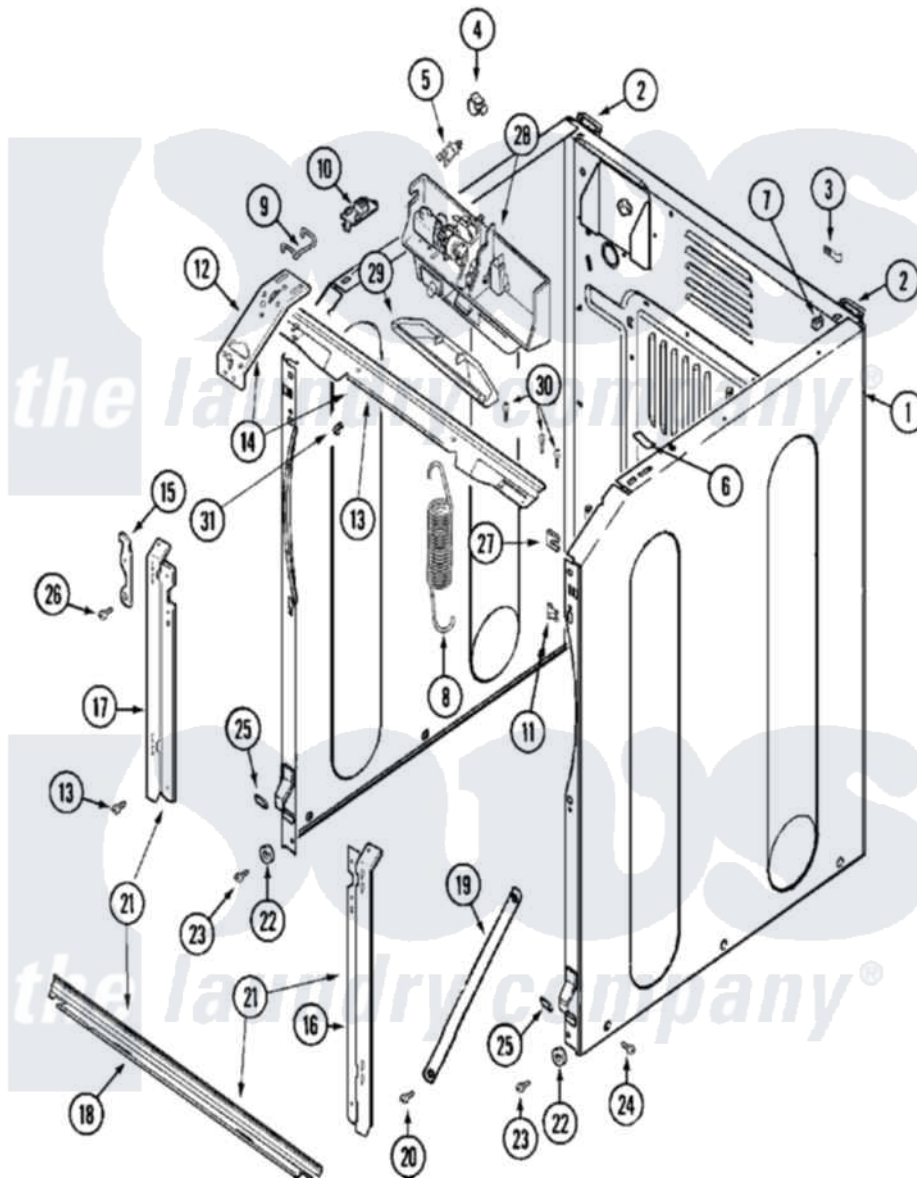


# Maytag MAH14PDDWW 07 - SPINNER ASSEMBLY & OUTER TUB COVER



Maytag Residential Maytag MAH14PDDWW Washer Parts Diagram 07 - SPINNER ASSEMBLY & OUTER TUB COVER

Click on the part number to view part

Item	Original Part Number	Replaced By	Status	Part Description
001	12001478	<a href="#">12002022</a>		Lip Seal Kit
002	<a href="#">22002099</a>			Spring, Tub
003	22001994	<a href="#">W10181639</a>		Support
"	<a href="#">22002123</a>			Tube, Molykote
004	<a href="#">22002023</a>			Washer, Plastic
005	22002115	<a href="#">6-2717080</a>		Spinner As
006	22002021	<a href="#">22002482</a>		Washer, Profile
007	<a href="#">22002020</a>			Washer, Spinner Support
008	22002122	<a href="#">2207454</a>		Nut, Hex
009	<a href="#">22001985</a>			Baffle, Drip
010	<a href="#">22002009</a>			Grommet, Baffle
011	<a href="#">22001999</a>			Grommet, Baffle
012	22002325	<a href="#">22003556</a>		Screw, Baffle
013	<a href="#">22001986</a>			Baffle, Drip
014	<a href="#">22002059</a>			Screw, Baffle

PART NEVER USED IN

015	22002028	Not Available	PART NEVER USED IN PRODUCTION
"	NLA	Not Available	SCREW, BALANCE RING
016	<a href="#">22002077</a>		Seal, Tub Cover
017	<a href="#">22002050</a>		Clip, Tub To Cover
018	33002217	<a href="#">22003212</a>	Cover, Tub --W
019	22001978	<a href="#">12002533</a>	Boot Kit
020	<a href="#">22002327</a>		Wire, Boot Clamp

