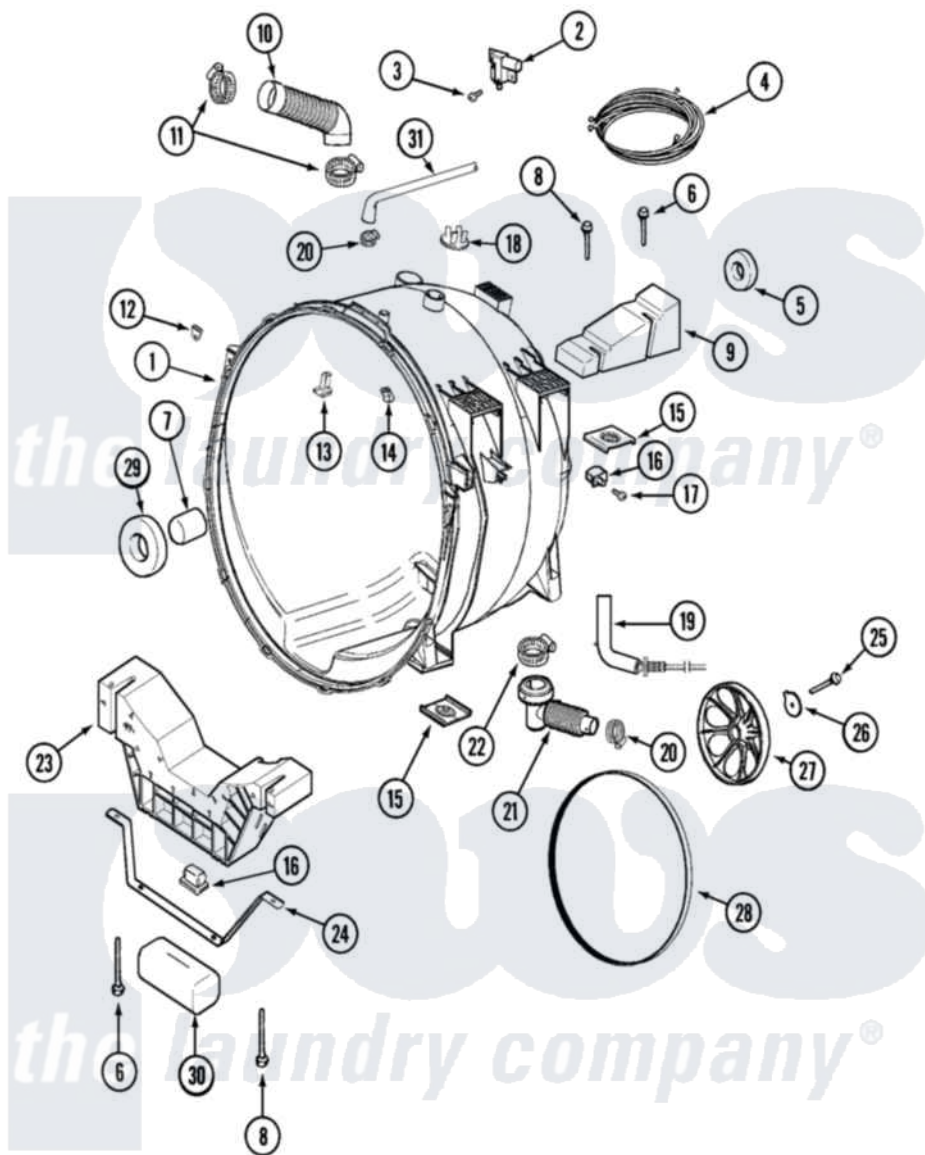


Maytag MAH14PDSAW 08 - OUTER TUB



Maytag [Residential Maytag MAH14PDSAW Washer Parts](#) Parts Diagram 08 - OUTER TUB
 Click on the part number to view part

| Item | Original Part Number | Replaced By | Status | Part Description |
|------|--------------------------|--------------------------|--------|-----------------------------------|
| 001 | 22002154 | 22004465 | | Outer Tub Assembly, As Pack |
| 002 | 22002045 | 22003302 | | Switch, Internal Unbalance |
| 003 | 912615 | 33002917 | | Screw, No.10-16 |
| 004 | 22002545 | | | Wire Harness, Displacement |
| 005 | Y200720 | 22003441 | | Bearing, Rear |
| 006 | 22003615 | | | Bolt, Double Sems 5-3/8 |
| 007 | 22002935 | | | Spacer, Bearing |
| 008 | 22003616 | | | Bolt, Double Sems 3-3/8 |
| 009 | 22002102 | | | Weight, Counter Balance |
| 010 | 22002083 | | | Hose, Injector |
| 011 | 22002052 | 616099 | | Clamp |
| 012 | 22002103 | | | Clip, U |
| 013 | 22002004 | 22004310 | | Water Deflector |
| " | 22002959 | 22004310 | | Water Deflector |
| 014 | 22002006 | | | Clip, Unbalance Switch Harness |
| " | 22002061 | 910187 | | Screw |

| | | | |
|-----|--------------------------|--------------------------|--------------------------|
| 015 | 22002065 | | Nut, Counter Balance |
| 016 | 22002044 | | Switch, Tub Displacement |
| 017 | 22002061 | 910187 | Screw |
| 018 | 202515 | 596669 | Clamp, Manifold |
| 019 | 22002010 | | Hose, Pressure Switch |
| 020 | 22001984 | 285655 | Clamp, Hose |
| 021 | 22002081 | 22003262 | Hose, Tub To Pump Outlet |
| 022 | 22002053 | 696392 | Hose Clamp |
| 023 | 22002302 | Not Available | WEIGHT ASSEMBLY (FRT) |
| 024 | 22002008 | | Strap |
| 025 | 22002057 | 22003937 | Screw, Retaining Bolt |
| 026 | 22002055 | 22003936 | Washer |
| 027 | 22001998 | 22002315 | Pulley, Spinner |
| 028 | 12001435 | 12001788 | Kit, Belt And Isolator-W |
| 029 | 22002934 | | Bearing, Front |
| 030 | 22002011 | Not Available | CUSHION |

