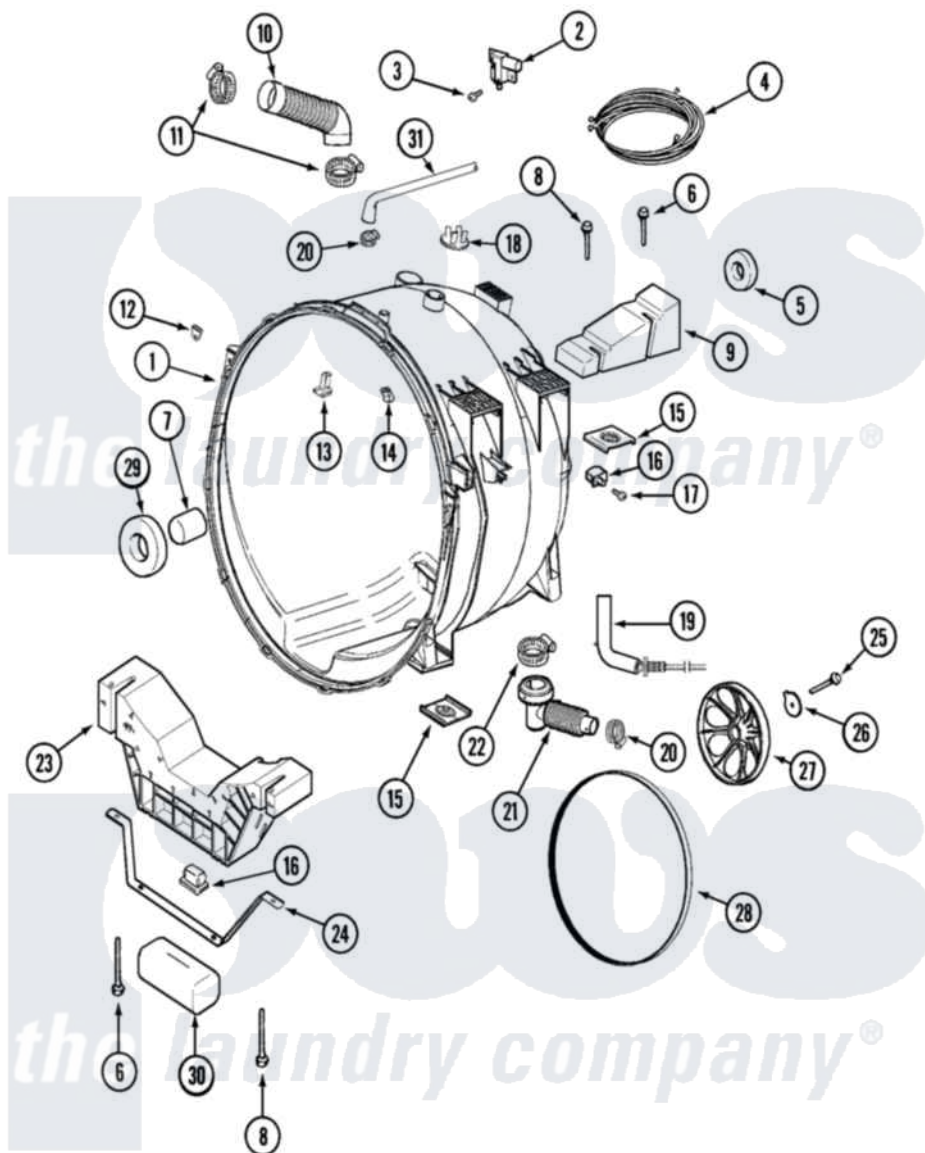


# Maytag MAH14PNAEW 07 - OUTER TUB



Maytag [Residential Maytag MAH14PNAEW Washer Parts](#) Parts Diagram 07 - OUTER TUB  
 Click on the part number to view part

Item	Original Part Number	Replaced By	Status	Part Description
001	22002154	<a href="#">22004465</a>		Outer Tub Assembly, As Pack
002	22002045	<a href="#">22003302</a>		Switch, Internal Unbalance
003	912615	<a href="#">33002917</a>		Screw, No.10-16
004	<a href="#">22002545</a>			Wire Harness, Displacement
005	Y200720	<a href="#">22003441</a>		Bearing, Rear
006	<a href="#">22003615</a>			Bolt, Double Sems 5-3/8
007	<a href="#">22002935</a>			Spacer, Bearing
008	<a href="#">22003616</a>			Bolt, Double Sems 3-3/8
009	<a href="#">22002102</a>			Weight, Counter Balance
010	<a href="#">22002083</a>			Hose, Injector
011	22002052	<a href="#">616099</a>		Clamp
012	<a href="#">22002103</a>			Clip, U
013	22002004	<a href="#">22004310</a>		Water Deflector
"	22002959	<a href="#">22004310</a>		Water Deflector
014	<a href="#">22002006</a>			Clip, Unbalance Switch Harness
"	22002061	<a href="#">910187</a>		Screw

015	<a href="#">22002065</a>		Nut, Counter Balance
016	<a href="#">22002044</a>		Switch, Tub Displacement
"	<a href="#">33002215</a>		Bracket, Unbalance Switch
017	22002061	<a href="#">910187</a>	Screw
018	202515	<a href="#">596669</a>	Clamp, Manifold
019	<a href="#">22002010</a>		Hose, Pressure Switch
"	NLA	Not Available	CLIP, AIR DOME RETAINING
020	22001984	<a href="#">285655</a>	Clamp, Hose
021	22002081	<a href="#">22003262</a>	Hose, Tub To Pump Outlet
022	22002053	<a href="#">696392</a>	Hose Clamp
023	22002302	Not Available	WEIGHT ASSEMBLY (FRT)
024	<a href="#">22002008</a>		Strap
025	22002057	<a href="#">22003937</a>	Screw, Retaining Bolt
026	22002055	<a href="#">22003936</a>	Washer
027	22001998	<a href="#">22002315</a>	Pulley, Spinner
028	12001435	<a href="#">12001788</a>	Kit, Belt And Isolator-W
029	<a href="#">22002934</a>		Bearing, Front
030	22002011	Not Available	CUSHION

