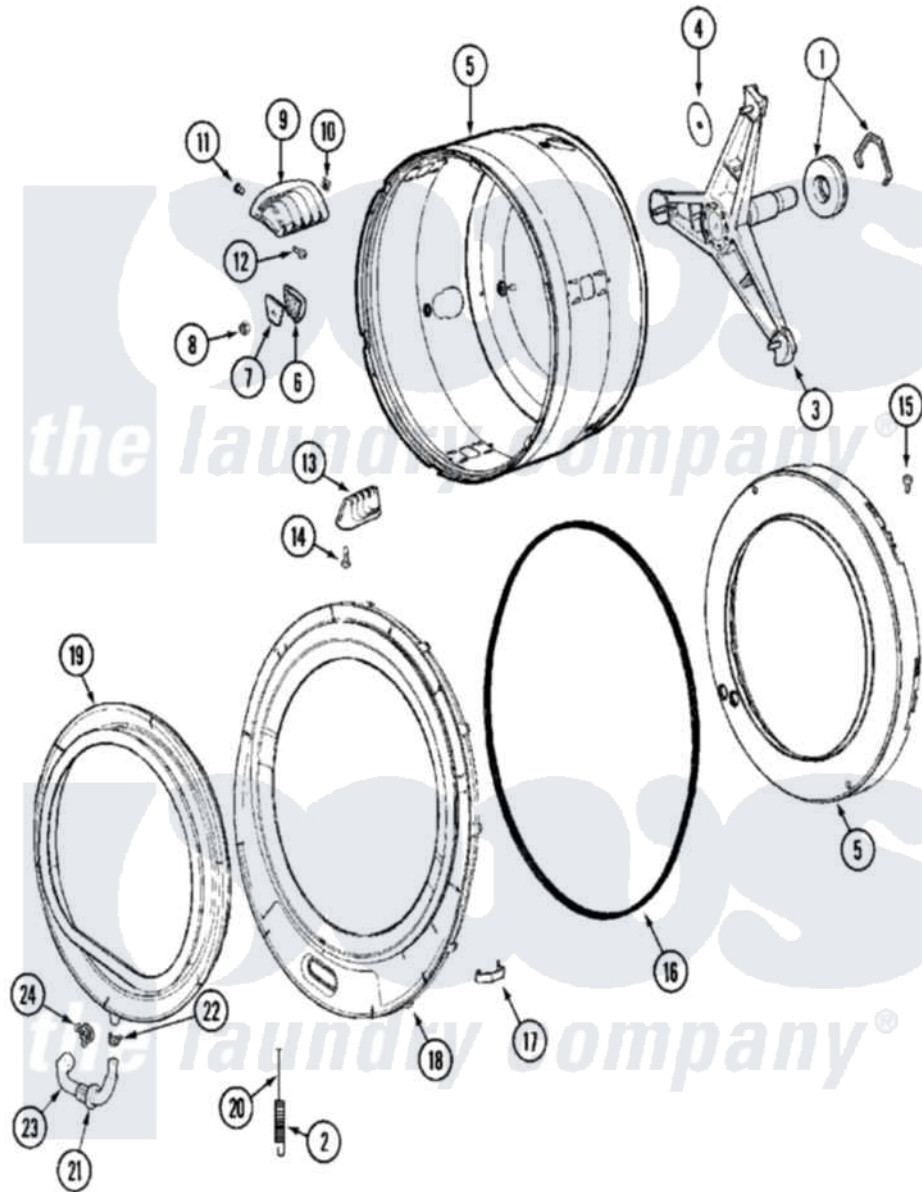


# Maytag MAH14PNAGW 08 - SPINNER ASSEMBLY & OUTER TUB COVER



Maytag Residential Maytag MAH14PNAGW Washer Parts Diagram 08 - SPINNER ASSEMBLY & OUTER TUB COVER

Click on the part number to view part

| Item | Original Part Number     | Replaced By               | Status | Part Description        |
|------|--------------------------|---------------------------|--------|-------------------------|
| 001  | 12001478                 | <a href="#">12002022</a>  |        | Lip Seal Kit            |
| 002  | <a href="#">22002099</a> |                           |        | Spring, Tub             |
| 003  | 22001994                 | <a href="#">W10181639</a> |        | Support                 |
| "    | <a href="#">22002123</a> |                           |        | Tube, Molykote          |
| "    | 22002897                 | <a href="#">W10181639</a> |        | Support                 |
| 004  | <a href="#">22002023</a> |                           |        | Washer, Plastic         |
| 005  | 22002115                 | <a href="#">6-2717080</a> |        | Spinner As              |
| 006  | 22002021                 | <a href="#">22002482</a>  |        | Washer, Profile         |
| 007  | <a href="#">22002020</a> |                           |        | Washer, Spinner Support |
| 008  | 22002122                 | <a href="#">2207454</a>   |        | Nut, Hex                |
| 009  | <a href="#">22001985</a> |                           |        | Baffle, Drip            |
| 010  | <a href="#">22002009</a> |                           |        | Grommet, Baffle         |
| 011  | <a href="#">22001999</a> |                           |        | Grommet, Baffle         |
| 012  | 22002325                 | <a href="#">22003556</a>  |        | Screw, Baffle           |
| 013  | <a href="#">22001986</a> |                           |        | Baffle, Drip            |
| 014  | <a href="#">22002059</a> |                           |        | Screw, Baffle           |

|     |                          |                          |               |                               |
|-----|--------------------------|--------------------------|---------------|-------------------------------|
| 015 | 22002028                 |                          | Not Available | PART NEVER USED IN PRODUCTION |
| "   | NLA                      |                          | Not Available | SCREW, BALANCE RING           |
| 016 | <a href="#">22002077</a> |                          |               | Seal, Tub Cover               |
| 017 | <a href="#">22002050</a> |                          |               | Clip, Tub To Cover            |
| 018 | 22002238                 | <a href="#">22003212</a> |               | Cover, Tub --W                |
| "   | 22002961                 | <a href="#">22003212</a> |               | Cover, Tub --W                |
| "   | <a href="#">22003074</a> |                          |               | Guard, Hose                   |
| "   | <a href="#">22003212</a> |                          |               | Cover, Tub --W                |
| 019 | 12001772                 | <a href="#">12002533</a> |               | Boot Kit                      |
| "   | 22001978                 | <a href="#">12002533</a> |               | Boot Kit                      |
| 020 | <a href="#">22002327</a> |                          |               | Wire, Boot Clamp              |

*the laundry company*<sup>®</sup>

*the laundry company*<sup>®</sup>

*the laundry company*<sup>®</sup>