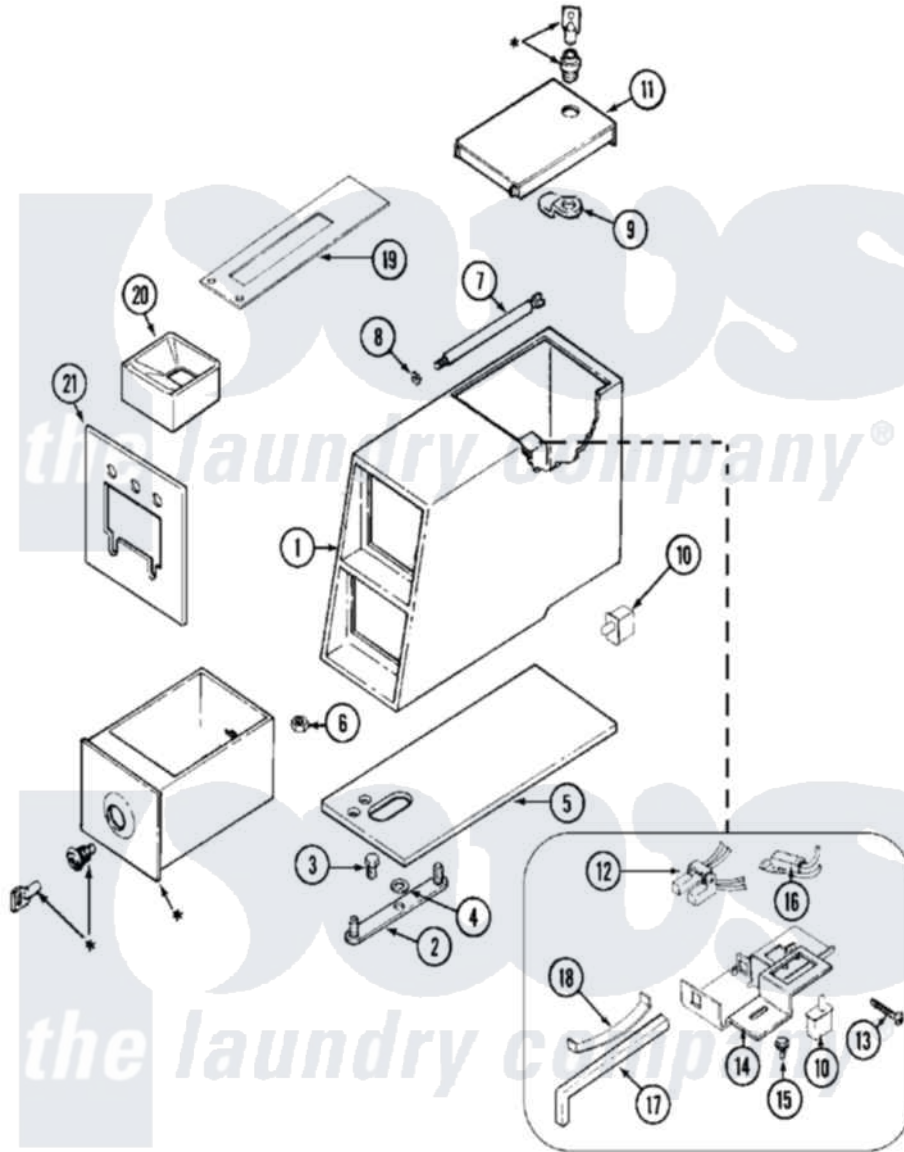


Maytag MAH14PSAAW 02 - CONTROL CENTER (PS)



***CONTACT YOUR COMMERCIAL LAUNDRY DISTRIBUTOR**

Maytag [Residential Maytag MAH14PSAAW Washer Parts](#) Parts Diagram 02 - CONTROL CENTER (PS)
 Click on the part number to view part

Item	Original Part Number	Replaced By	Status	Part Description
001	22001871		Not Available	VAULT, COIN (WHT)
"	22002478		Not Available	VAULT, COIN (WHT) (ORIGINAL COIN VAULT NLA USE)
"	22003815			Dual Faceplate
002	22001810		Not Available	STRAP, MOUNTING
003	22001996	3370225		Screw
004	910309			Washer, Mounting Strap
005	22002072			Gasket, Control Center
006	Y052740	62739		Nut, Lock
007	22001903	8576635		Bolt
008	211605			Bezel, Timer Dial
"	910387			Lockwasher, Vault Assembly
009	NLA		Not Available	CAM, LOCKING
010	33001250			Switch, Vault And Service Door
"	912012	3400409		Screw

011	22001910	22003679		Timer Access Door Assembly
012	22001965			Optic Switch Assembly
013	314665			Screw, Switch Assembly
014	33001253			Bracket, Sensor Switch
015	211605			Bezel, Timer Dial
"	212276	W10116760		Screw
016	22001966			Harness, Sensor Switch
017	216442			Rod, Actuator
018	33001252			Spring, Switch Rod
019	22001812	22003416		Actuator Kit
020	22001878		Not Available	CHUTE, COIN (REMOVED AT SERIES 24)
"	22002533			Weld Assembly, Funnel
"	22002534			Bolt, Carriage
"	Y052721			Nut, Terminal Block Plate
021	22001879	22001917		Plate, Adaptor
"	22001904		Not Available	(REMOVED AT SERIES 24)
"	NLA		Not Available	BRACE, COIN SLIDE

