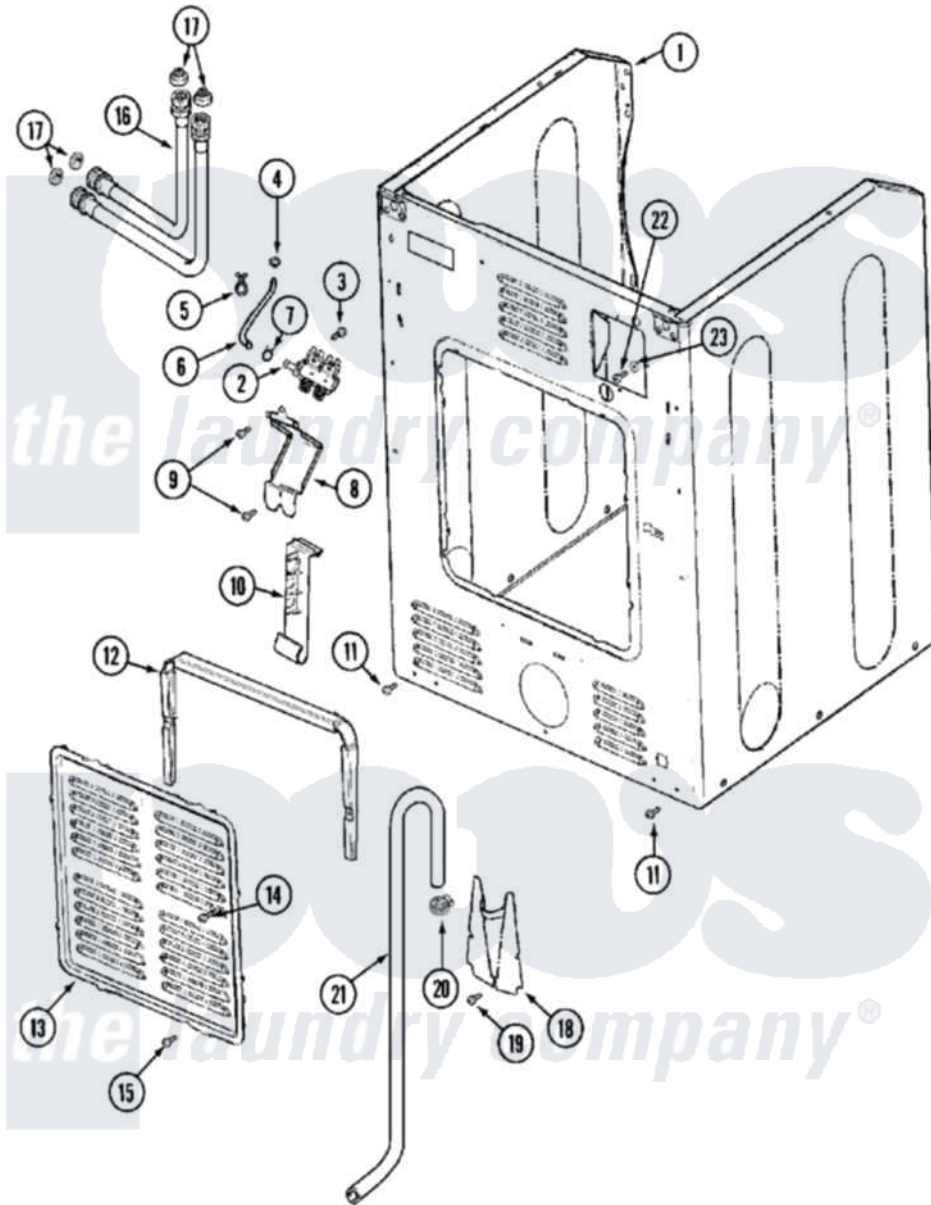


# Maytag MAH14PSAAW 07 - CABINET-REAR



Maytag [Residential Maytag MAH14PSAAW Washer Parts](#) Parts Diagram 07 - CABINET-REAR  
 Click on the part number to view part

Item	Original Part Number	Replaced By	Status	Part Description
001	22002245	<a href="#">22003639</a>		Cabinet Assembly
"	22002246	<a href="#">22003639</a>		Cabinet Assembly
"	NLA		Not Available	CABINET ASSY. (WHT)
002	<a href="#">22002101</a>			Valve, Water
003	<a href="#">Y313561</a>			Screw---NA
004	22002054	<a href="#">285655</a>		Clamp, Hose
005	22002027	<a href="#">74007164</a>		Lock- Purs
006	22001987	<a href="#">22002296</a>		Hose, Injector
007	216169	<a href="#">596669</a>		Clamp, Manifold
008	22002089	<a href="#">22002572</a>		Bracket- W
009	22001996	<a href="#">3370225</a>		Screw
010	22002076	<a href="#">33002213</a>		Rack, Hose
011	<a href="#">22001995</a>			Screw Note: Screw, Tumbler Front And Shroud
012	<a href="#">22002022</a>			Spacer, Access Panel
013	<a href="#">22002092</a>			Panel, Access
014	213117	<a href="#">67006908</a>		Screw, Ice Rack

015	22001996	<a href="#">3370225</a>	Screw
016	<a href="#">202860</a>		Inlet Hose Assembly
017	<a href="#">Y013783</a>		Washer, Inlet Hose
018	22002093	<a href="#">22002704</a>	Cover, Drain Hose
019	<a href="#">22001995</a>		Screw Note: Screw, Tumbler Front And Shroud
020	22001984	<a href="#">285655</a>	Clamp, Hose
021	12001659	<a href="#">12001807</a>	Drain Hose Kit
"	22002891	<a href="#">12001807</a>	Drain Hose Kit
"	<a href="#">22002892</a>		Retainer, Drain Hose
"	22002893	<a href="#">8539404</a>	Tie-Wire
"	NLA	Not Available	HOSE, DRAIN---N
022	NLA	Not Available	SCREW, GROUND LUG
023	NLA	Not Available	WASHER, GROUND LUG

