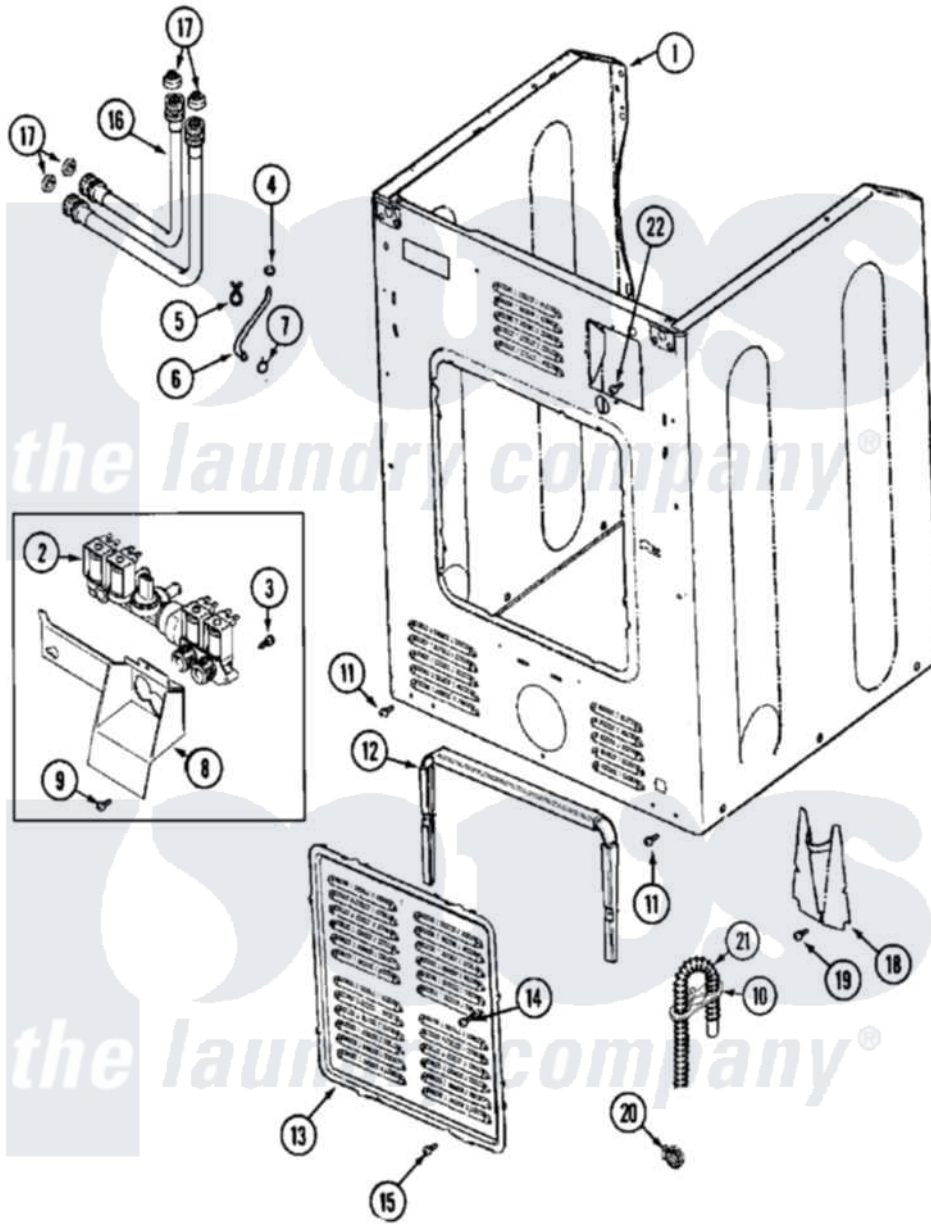


# Maytag MAH20PDA3W 06 - CABINET-REAR



Maytag [Residential Maytag MAH20PDA3W Washer Parts](#) Parts Diagram 06 - CABINET-REAR  
 Click on the part number to view part

Item	Original Part Number	Replaced By	Status	Part Description
001	<a href="#">22001995</a>			Screw Note: Screw, Tumbler Front And Shroud
"	22002444			LABEL, ENERGY
"	22002445		Not Available	LABEL, SAFETY
"	22003367	<a href="#">22004095</a>		Hinge, Plastic
"	NLA		Not Available	CABINET ASSY. (WHT)
002	205161	<a href="#">489503</a>		Clamp
"	<a href="#">22002944</a>			Valve, Water
003	<a href="#">22002436</a>			Screw, Water Valve Bracket
004	22002054	<a href="#">285655</a>		Clamp, Hose
005	22002027	<a href="#">74007164</a>		Lock- Purs
006	22002179	<a href="#">8539404</a>		Tie-Wire
"	<a href="#">22002296</a>			Hose, Injector
007	216169	<a href="#">596669</a>		Clamp, Manifold
008	<a href="#">33002212</a>			Bracket, Water Valve
009	22001996	<a href="#">3370225</a>		Screw
010	<a href="#">22002892</a>			Retainer, Drain Hose

011	<a href="#">22001995</a>		Screw Note: Screw, Tumbler Front And Shroud
012	<a href="#">22002022</a>		Spacer, Access Panel
013	<a href="#">22002092</a>		Panel, Access
014	22002295	<a href="#">67006908</a>	Screw, Ice Rack
015	22001996	<a href="#">3370225</a>	Screw
016	208100	<a href="#">76313</a>	Hosefill
"	22002229	<a href="#">22002960</a>	Strainer, Washer Inlet
017	<a href="#">Y013783</a>		Washer, Inlet Hose
018	<a href="#">22002704</a>		Cover, Drain Hose
019	<a href="#">22001995</a>		Screw Note: Screw, Tumbler Front And Shroud
020	22001984	<a href="#">285655</a>	Clamp, Hose
021	12001659	<a href="#">12001807</a>	Drain Hose Kit
"	22002891	<a href="#">12001807</a>	Drain Hose Kit
"	22002893	<a href="#">8539404</a>	Tie-Wire
"	<a href="#">22002932</a>		Clip, Drain Hose
022	NLA	Not Available	SCREW, GROUND LUG
023	NLA	Not Available	WASHER, GROUND LUG

