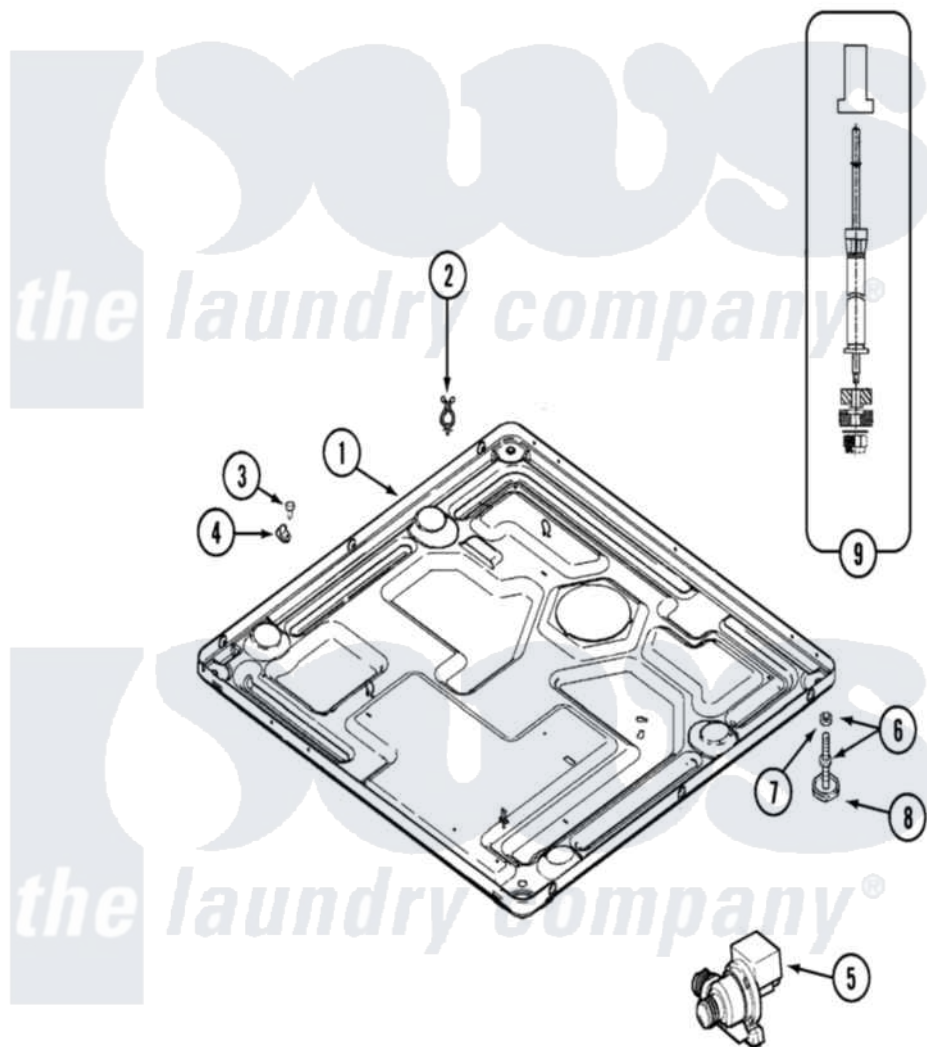


Maytag MAH20PDA3W 09 - BASE



Maytag [Residential Maytag MAH20PDA3W Washer Parts](#) Parts Diagram 09 - BASE
 Click on the part number to view part

Item	Original Part Number	Replaced By	Status	Part Description
001	22002240	22003435		Base, Assembly
"	22003580			Base, Assembly
"	22003605			Base Weld Assembly
002	315471	22003298		Retainer, Wire
003	212276	W10116760		Screw
004	22002014			Clip, Harness To Support
005	22003043	22003635		Pump, High Torque
006	22001915	22003544		Adjustable Leg W/Foot And Nut
007	Y052740	62739		Nut, Lock
008	210684			Foot, Adjustable Leg
009	22001988			Strut Assembly-Rear
010	22003046			Transformer
"	33001882			Screw, Transformer Mounting