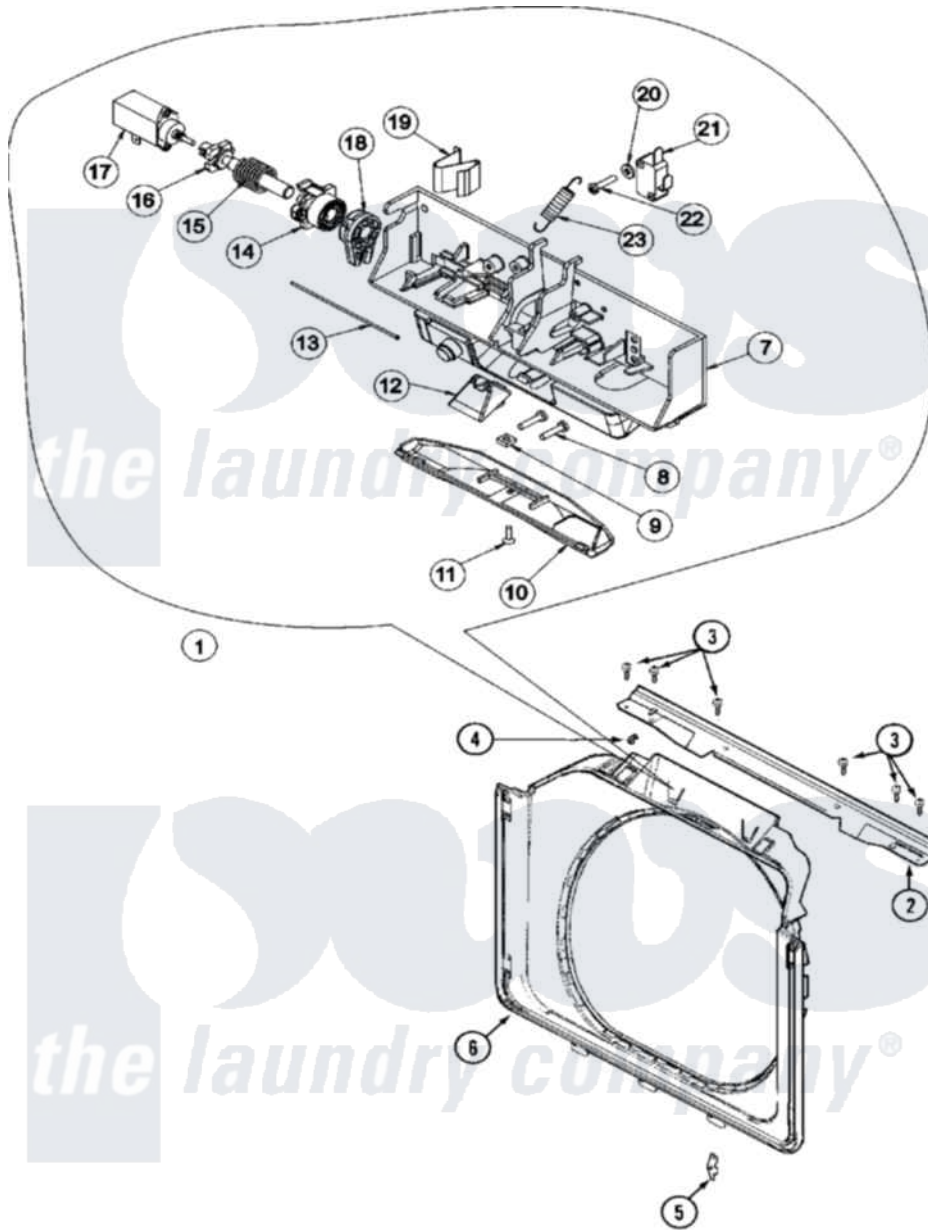


Maytag MAH20PDAWW 10 - DOOR SHROUD & DOOR LATCH ASSEMBLY



Maytag Residential Maytag MAH20PDAWW Washer Parts Parts Diagram 10 - DOOR SHROUD & DOOR LATCH ASSEMBLY

[Click on the part number to view part](#)

Item	Original Part Number	Replaced By	Status	Part Description
001	NLA		Not Available	LATCH, ASSY. (DOM/COMMERCIAL)
002	22003637			BRACE ASSEMBLY, TOP CROSS CONTAINS ITEMS 12 & 13
"	33002202	33002477		Support, Door Lock
003	22001995			Screw Note: Screw, Tumbler Front And Shroud
004	22002014			Clip, Harness To Support
005	22002095	12001994		Cover
"	33001764			Cover, Hinge Hole
"	33001846			Screw, Hinge Hole Cover
"	33002349			Cover, Hinge Hole
006	22002234			Shroud And Dispenser Hose
007	22003722			Switch Holder Assembly, Latch
"	NLA		Not Available	SWITCH, DOOR
008	22003719			Screw, Latch

009	22003720	Nut, Latch
010	22002957	Cover, Latch Assembly
011	22002435	241877 Screw
012	22003055	Ramp, Door Hoop
013	22002164	Cable, Door
014	22003715	Sliding Gear, Latch
015	22003721	Spring, Axle / Latch
016	22003718	Axle, Latch
017	22002119	Motor, Wax
018	22003716	Rotating Gear, Latch
019	22003717	Spring, Latch
020	22001352	Screw, Check Switch
021	22002165	Washer, Door Lock Switch
022	22002162	Switch, Door Lock Spin Enable
023	22002158	Spring, Gear Return

