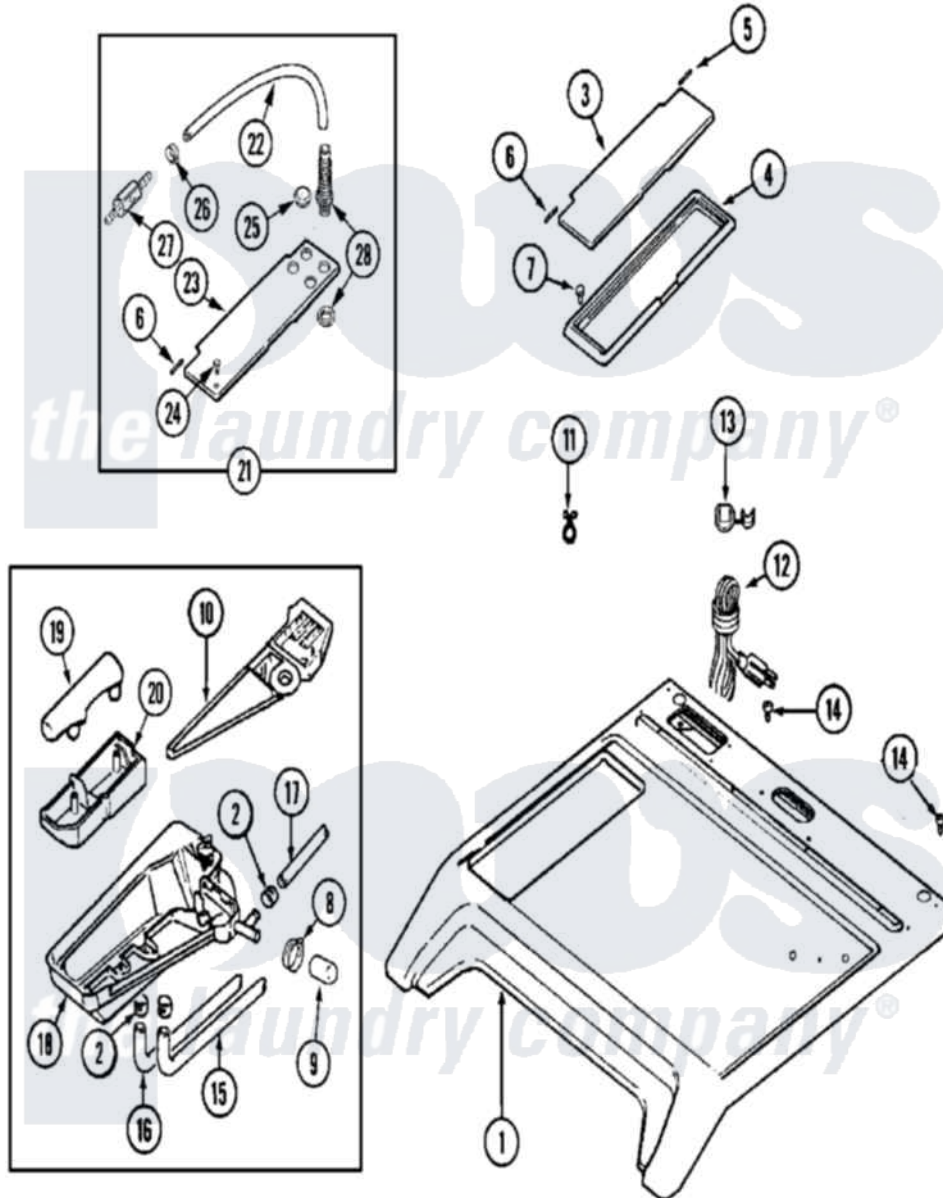


# Maytag MAH20PNAWW 08 - TOP (MAH20PNAWW)



Maytag Residential Maytag MAH20PNAWW Washer Parts Parts Diagram 08 - TOP (MAH20PNAWW)  
 Click on the part number to view part

| Item | Original Part Number     | Replaced By               | Status | Part Description                                |
|------|--------------------------|---------------------------|--------|---|
| 001  | <a href="#">22002116</a> |                           |        | Cover, Top                                      |
| "    | 22003584                 | <a href="#">22004180</a>  |        | Cover, Top                                      |
| 002  | 205161                   | <a href="#">489503</a>    |        | Clamp   |
| 003  | <a href="#">22002941</a> |                           |        | Lid, Dispenser Commercial                       |
| 004  | 22002940                 | <a href="#">22003665</a>  |        | Bezel, Dispenser                                |
| 005  | Y912678                  | <a href="#">6-912678</a>  |        | Pin- Hinge                                      |
| 006  | <a href="#">Y912679</a>  |                           |        | Pin, Hinge                                      |
| 007  | 22002060                 | <a href="#">400021-1</a>  |        | Screw   |
| 008  | 22001984                 | <a href="#">285655</a>    |        | Clamp, Hose                                     |
| 009  | <a href="#">22002796</a> |                           |        | Cap   |
| 010  | <a href="#">22002555</a> |                           |        | Flume, Dispenser                                |
| 011  | 212276                   | <a href="#">W10116760</a> |        | Screw   |
| "    | 22002027                 | <a href="#">74007164</a>  |        | Lock- Purs                                      |
| 012  | 22001178                 | <a href="#">22003062</a>  |        | Cord, Power                                     |
| 013  | <a href="#">211881</a>   |                           |        | Grommet, Cord Part Not Used-<br>Gas Models Only |
| 014  | 912365                   | <a href="#">3370225</a>   |        | Screw   |

|     |                          |                          |                                    |
|-----|--------------------------|--------------------------|------------------------------------|
| 015 | <a href="#">22002551</a> |                          | Hose, Bleach                       |
| 016 | <a href="#">22002552</a> |                          | Hose, Fabric Softener---NA         |
| 017 | <a href="#">22002553</a> |                          | Hose, Detergent                    |
| 018 | 22002768                 | <a href="#">12001558</a> | Dispenser Bottom With 4 Clamps     |
| 019 | <a href="#">22002266</a> |                          | Cap, Siphon                        |
| 020 | <a href="#">22002265</a> |                          | Cup, Siphon                        |
| 021 | <a href="#">12001671</a> |                          | Chemical Inject.dispenser Assembly |
| 022 | <a href="#">22003017</a> |                          | Tubing                             |
| 023 | <a href="#">22002909</a> |                          | Lid, Dispenser                     |
| 024 | 22002910                 | <a href="#">3400806</a>  | Screw                              |
| 025 | <a href="#">22002911</a> |                          | Plug, Hole                         |
| 026 | 22003018                 | <a href="#">596669</a>   | Clamp, Manifold                    |
| 027 | <a href="#">22003019</a> |                          | Valve, Check                       |
| 028 | <a href="#">22002908</a> |                          | Tube Fitting, Flexible             |
| "   | <a href="#">33001989</a> |                          | Retainer, Vault Switch             |

