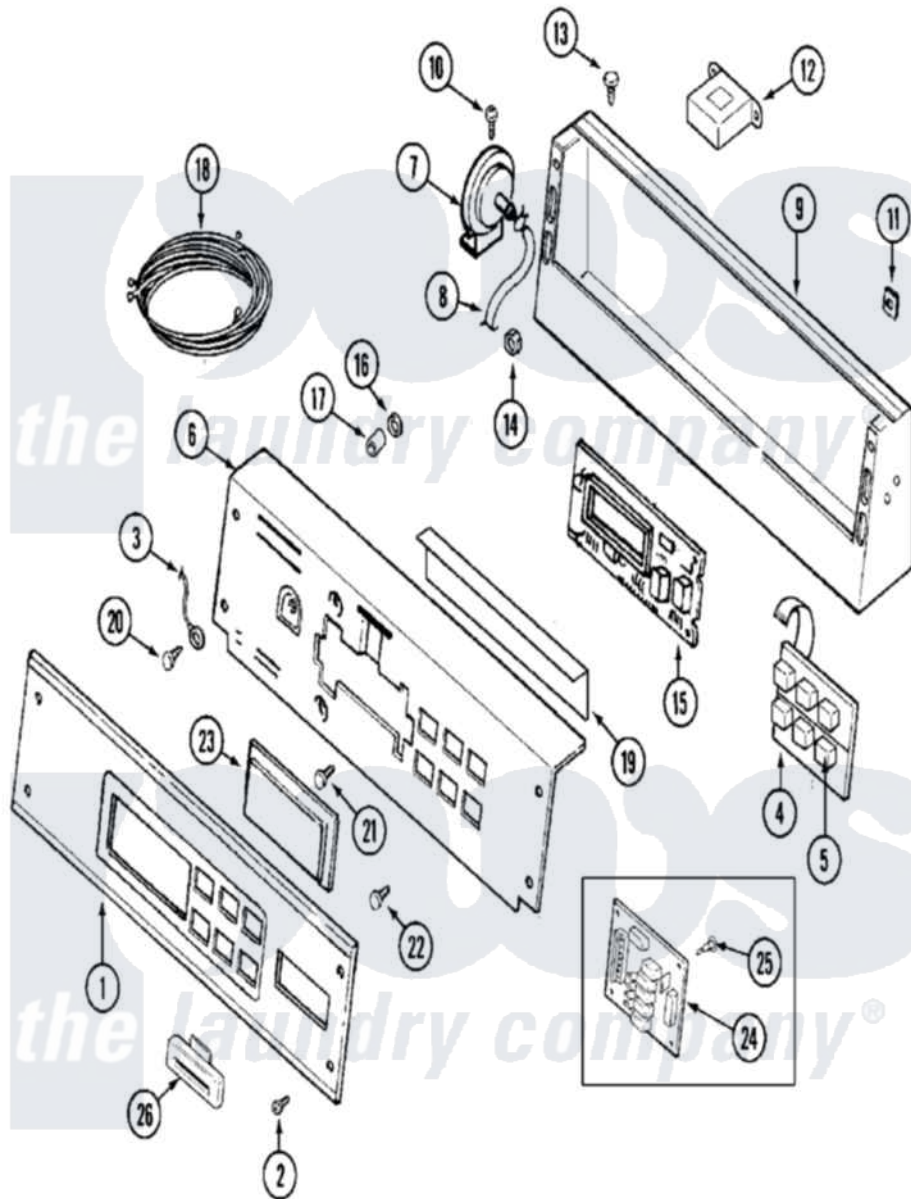


# Maytag MAH20PRAWW 09 - CONTROL PANEL (MAH20PRAWW)



Maytag [Residential Maytag MAH20PRAWW Washer Parts](#) Parts Diagram 09 - CONTROL PANEL (MAH20PRAWW)  
 Click on the part number to view part

| Item | Original Part Number     | Replaced By               | Status | Part Description                |
|------|--------------------------|---------------------------|--------|---------------------------------|
| 001  | 22002352                 | <a href="#">22004351</a>  |        | Facia - Pr                      |
| 002  | <a href="#">215506</a>   |                           |        | Screw, Control Panel Overlay    |
| 003  | <a href="#">205810</a>   |                           |        | Wire, Ground                    |
| 004  | 206808                   | <a href="#">W10135389</a> |        | Push Button And Switch Assembly |
| "    | 215527                   | <a href="#">W10140652</a> |        | Screw, 6-20 X 1/2               |
| 005  | 215517                   | <a href="#">W10131113</a> |        | Push Button                     |
| 006  | <a href="#">22002347</a> |                           |        | Switch Brkt And Back Brkt       |
| "    | <a href="#">22003090</a> |                           |        | Switch And Back Brkt Assembly   |
| 007  | 22002048                 | <a href="#">22002921</a>  |        | Switch- Pr                      |
| "    | <a href="#">22002994</a> |                           |        | Switch, Pressure                |
| 008  | <a href="#">22002010</a> |                           |        | Hose, Pressure Switch           |
| 009  | <a href="#">22003101</a> |                           |        | Console                         |
| "    | <a href="#">33001957</a> |                           |        | Console                         |
| 010  | 22001996                 | <a href="#">3370225</a>   |        | Screw                           |
| 011  | <a href="#">215003</a>   |                           |        | Fastener, Panel And Bracket     |

|     |                          |                           |                           |
|-----|--------------------------|---------------------------|---------------------------|
| 012 | <a href="#">22001960</a> |                           | Transformer               |
| 013 | <a href="#">211251</a>   |                           | Screw, Transformer        |
| 014 | <a href="#">22001419</a> |                           | Nut, Transformer          |
| 015 | 22002953                 | <a href="#">22004335</a>  | Control Board             |
| 016 | <a href="#">912077</a>   |                           | Locknut, Reader Harness   |
| 017 | <a href="#">33001204</a> |                           | Stand-Off, Ccontrol Board |
| 018 | <a href="#">22001973</a> |                           | Harness, Pr Service       |
| "   | 22002155                 | <a href="#">33001856</a>  | Reader Harness Kit        |
| "   | <a href="#">22002945</a> |                           | Harness, Wire             |
| 019 | <a href="#">22002954</a> |                           | Deflector, Water          |
| 020 | <a href="#">211252</a>   |                           | Screw, Ground Wire        |
| 021 | <a href="#">215526</a>   |                           | Screw, Circuit Board      |
| 022 | 215527                   | <a href="#">W10140652</a> | Screw, 6-20 X 1/2         |
| 023 | 22001962                 | <a href="#">W10131114</a> | Cover, Display            |
| 024 | 22002942                 | <a href="#">22004172</a>  | Relay Board Drs           |
| 025 | <a href="#">22002943</a> |                           | Stand-Off                 |
| 026 | <a href="#">22001976</a> |                           | Bezel                     |

