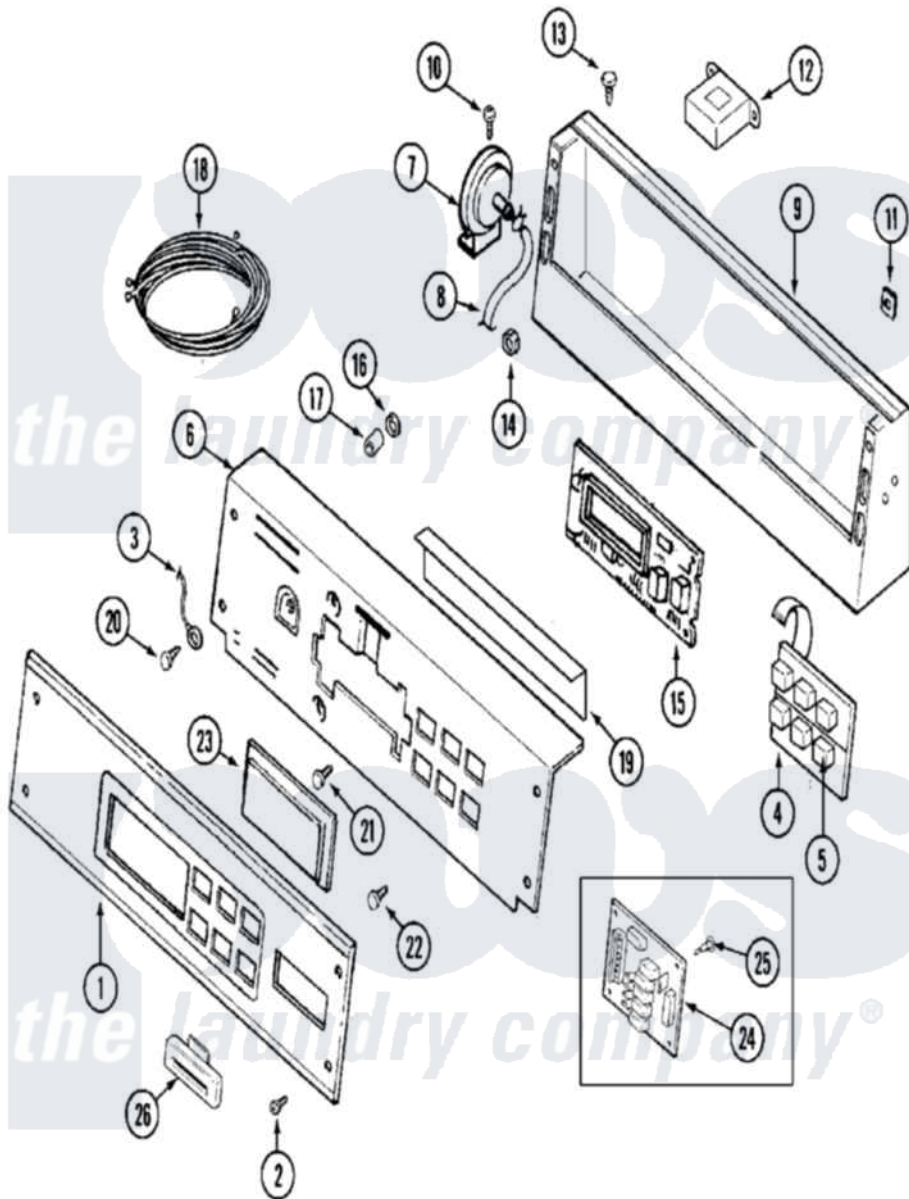


# Maytag MAH20PRDWW 01 - CONTROL PANEL (MAH20PRDWW)



Maytag [Residential Maytag MAH20PRDWW Washer Parts](#) Parts Diagram 01 - CONTROL PANEL (MAH20PRDWW)  
 Click on the part number to view part

Item	Original Part Number	Replaced By	Status	Part Description
001	NLA		Not Available	PANEL, CONTROL
002	<a href="#">215506</a>			Screw, Control Panel Overlay
003	<a href="#">205810</a>			Wire, Ground
004	215527	<a href="#">W10140652</a>		Screw, 6-20 X 1/2
"	NLA		Not Available	CONTROL SWITCH ASSEMBLY
005	215517	<a href="#">W10131113</a>		Push Button
006	<a href="#">22003090</a>			Switch And Back Brkt Assembly
"	NLA		Not Available	SWITCH BRKT & BACK BRKT (WHT)
007	<a href="#">22002994</a>			Switch, Pressure
008	<a href="#">22002010</a>			Hose, Pressure Switch
009	<a href="#">22003101</a>			Console
"	<a href="#">33001957</a>			Console
010	22001996	<a href="#">3370225</a>		Screw
011	<a href="#">215003</a>			Fastener, Panel And Bracket

012	<a href="#">22001960</a>		Transformer
013	<a href="#">211251</a>		Screw, Transformer
014	<a href="#">22001419</a>		Nut, Transformer
015	NLA	Not Available	BOARD, CONTROL
016	<a href="#">912077</a>		Locknut, Reader Harness
017	<a href="#">33001204</a>		Stand-Off, Ccontrol Board
018	<a href="#">22001973</a>		Harness, Pr Service
"	22002155	<a href="#">33001856</a>	Reader Harness Kit
"	<a href="#">22002945</a>		Harness, Wire
019	<a href="#">22002954</a>		Deflector, Water
020	<a href="#">211252</a>		Screw, Ground Wire
021	<a href="#">215526</a>		Screw, Circuit Board
022	215527	<a href="#">W10140652</a>	Screw, 6-20 X 1/2
023	22001962	<a href="#">W10131114</a>	Cover, Display
024	22002971	<a href="#">22004171</a>	Relay Board OPL
025	<a href="#">22002943</a>		Stand-Off
026	<a href="#">22001976</a>		Bezel

