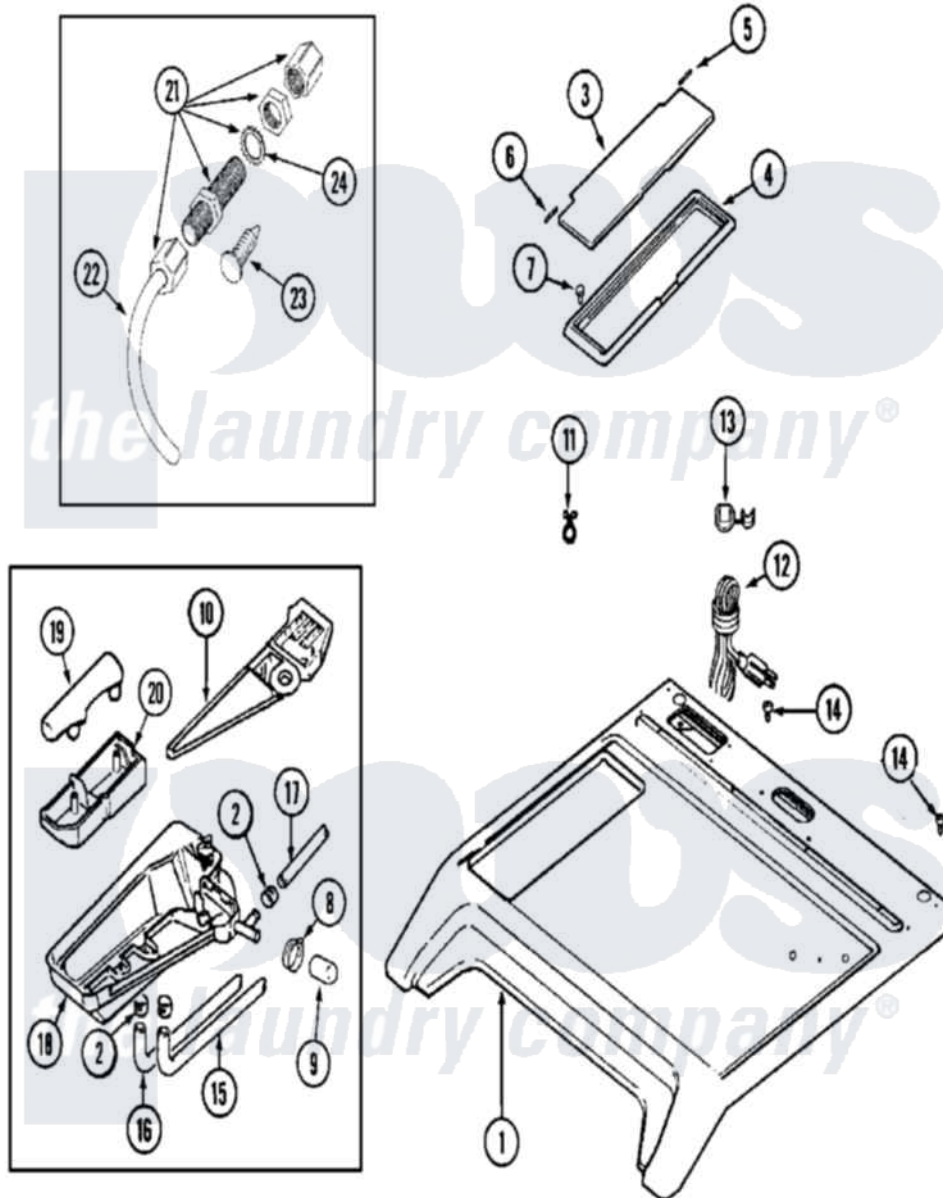


# Maytag MAH20PRDWW 02 - TOP (MAH20PRDWW)



Maytag [Residential Maytag MAH20PRDWW Washer Parts](#) Parts Diagram 02 - TOP (MAH20PRDWW)  
 Click on the part number to view part

Item	Original Part Number	Replaced By	Status	Part Description
001	<a href="#">22002116</a>			Cover, Top
"	22003584	<a href="#">22004180</a>		Cover, Top
002	205161	<a href="#">489503</a>		Clamp
003	<a href="#">22002941</a>			Lid, Dispenser Commercial
004	22002940	<a href="#">22003665</a>		Bezel, Dispenser
005	Y912678	<a href="#">6-912678</a>		Pin- Hinge
006	<a href="#">Y912679</a>			Pin, Hinge
007	22002060	<a href="#">400021-1</a>		Screw
008	22001984	<a href="#">285655</a>		Clamp, Hose
009	<a href="#">22002796</a>			Cap
010	<a href="#">22002555</a>			Flume, Dispenser
011	212276	<a href="#">W10116760</a>		Screw
"	22002027	<a href="#">74007164</a>		Lock- Purs
012	22001178	<a href="#">22003062</a>		Cord, Power
013	<a href="#">211881</a>			Grommet, Cord Part Not Used- Gas Models Only
014	912365	<a href="#">3370225</a>		Screw

015	<a href="#">22002551</a>		Hose, Bleach
016	<a href="#">22002552</a>		Hose, Fabric Softener---NA
017	<a href="#">22002553</a>		Hose, Detergent
018	NLA	Not Available	BOTTOM, DISPENSER (PAY INJECT)
019	<a href="#">22002266</a>		Cap, Siphon
020	<a href="#">22002265</a>		Cup, Siphon
021	NLA	Not Available	FITTING, COMPRESSION
022	NLA	Not Available	HOSE, PAY INJECTION
023	NLA	Not Available	PLUG
024	NLA	Not Available	LOCK WASHER

**laws**  
the laundry company®

**laws**  
the laundry company®

**laws**  
the laundry company®