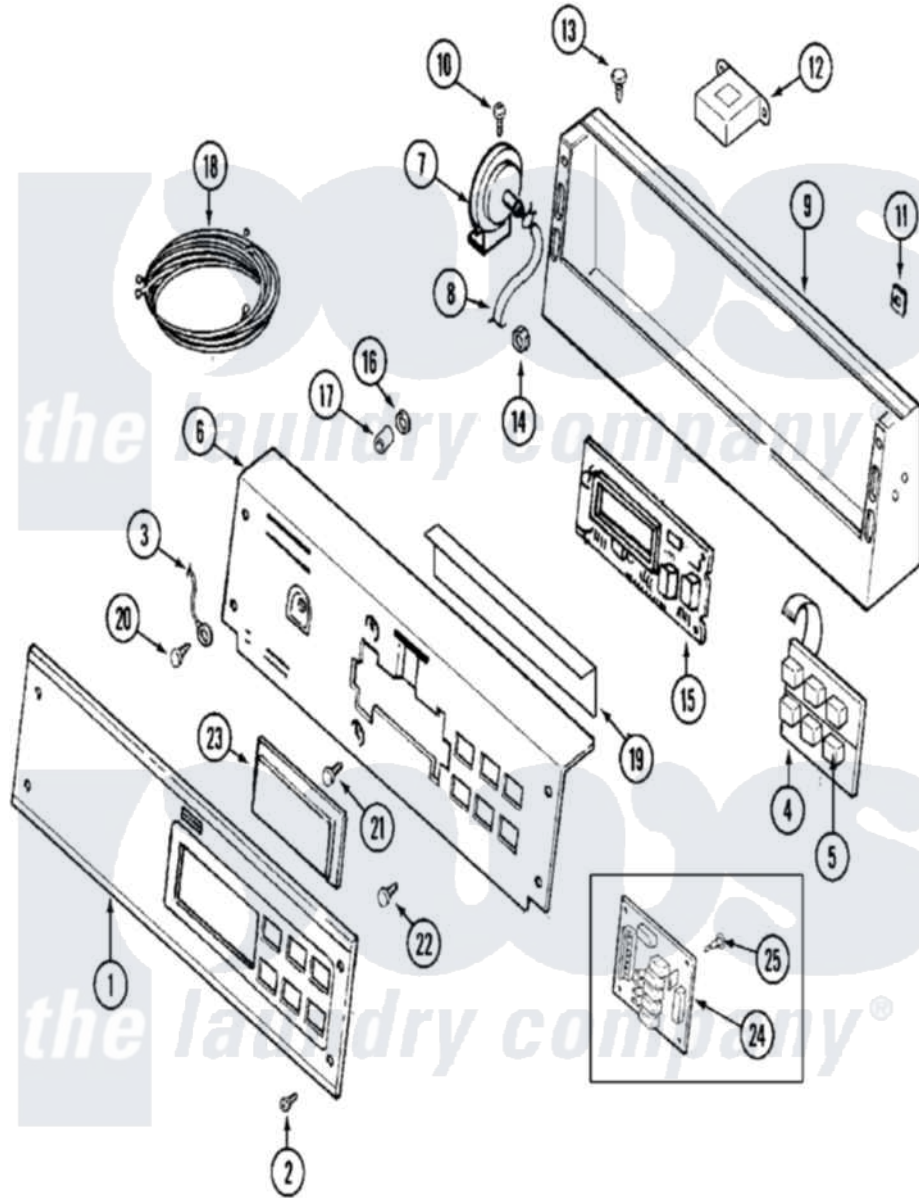


Maytag MAH20PSAWW 01 - CONTROL PANEL (PD/PS)



Maytag Residential Maytag MAH20PSAWW Washer Parts Parts Diagram 01 - CONTROL PANEL (PD/PS)
 Click on the part number to view part

| Item | Original Part Number | Replaced By | Status | Part Description |
|------|--------------------------|---------------------------|--------|------------------------------------|
| 001 | 22002043 | 22004349 | | Facia - Pd/Ps |
| 002 | 215506 | | | Screw, Control Panel Overlay |
| 003 | 205810 | | | Wire, Ground |
| 004 | 206808 | W10135389 | | Push Button And Switch Assembly |
| " | 215527 | W10140652 | | Screw, 6-20 X 1/2 |
| 005 | 215517 | W10131113 | | Push Button |
| 006 | 22002036 | | | Switch Bracket And Back Brkt-White |
| " | 22002929 | | | Switch Brkt And Back Brkt |
| " | 22003094 | | | Switch And Back Brkt Assembly |
| " | 22003095 | | | Switch And Back Brkt Assembly |
| 007 | 22002048 | 22002921 | | Switch- Pr |
| " | 22002994 | | | Switch, Pressure |
| 008 | 22002010 | | | Hose, Pressure Switch |
| 009 | 22002329 | | | Console |

| | | | |
|-----|--------------------------|---------------------------|-----------------------------|
| " | 22002889 | | Console |
| " | 22003088 | | Console |
| " | 22003089 | | Console |
| 010 | 22001996 | 3370225 | Screw |
| 011 | 215003 | | Fastener, Panel And Bracket |
| 012 | 22001960 | | Transformer |
| 013 | 211251 | | Screw, Transformer |
| 014 | 22001419 | | Nut, Transformer |
| 015 | 22002953 | 22004335 | Control Board |
| 016 | 912077 | | Locknut, Reader Harness |
| 017 | 33001204 | | Stand-Off, Ccontrol Board |
| 018 | 22002945 | | Harness, Wire |
| 019 | 22002954 | | Deflector, Water |
| 020 | 211252 | | Screw, Ground Wire |
| 021 | 215526 | | Screw, Circuit Board |
| 022 | 215527 | W10140652 | Screw, 6-20 X 1/2 |
| 023 | 22001962 | W10131114 | Cover, Display |
| 024 | 22002942 | 22004172 | Relay Board Drs |
| 025 | 22002943 | | Stand-Off |

