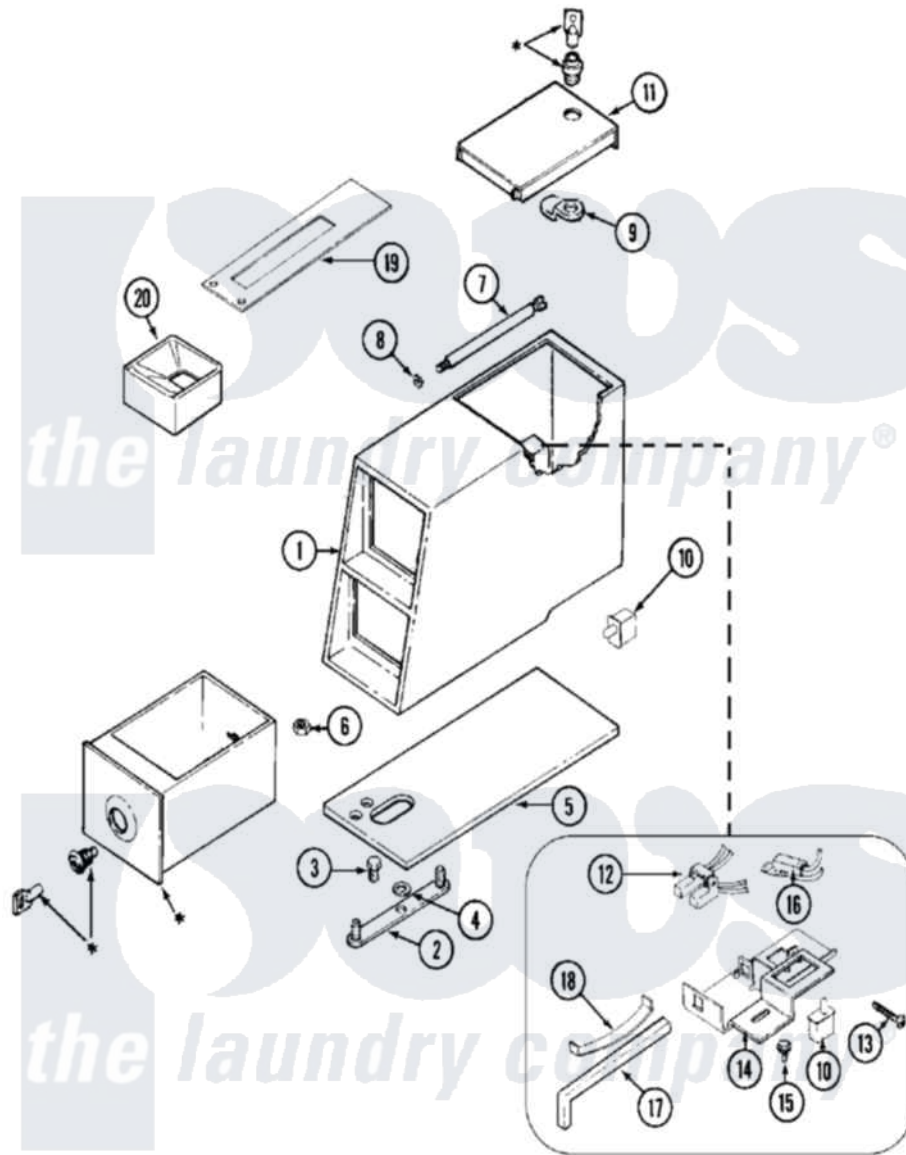


Maytag MAH20PSAWW 09 - CONTROL CENTER (PS)



***CONTACT YOUR COMMERCIAL LAUNDRY DISTRIBUTOR**

Maytag [Residential Maytag MAH20PSAWW Washer Parts](#) Parts Diagram 09 - CONTROL CENTER (PS)
 Click on the part number to view part

| Item | Original Part Number | Replaced By | Status | Part Description |
|------|--------------------------|--------------------------|---------------|--|
| 001 | 22002478 | | Not Available | VAULT, COIN (WHT) (ORIGINAL COIN VAULT NLA USE) |
| " | 22003815 | | | Dual Faceplate |
| 002 | 22001810 | | Not Available | STRAP, MOUNTING |
| 003 | 22001996 | 3370225 | | Screw |
| 004 | 910309 | | | Washer, Mounting Strap |
| 005 | 22002072 | | | Gasket, Control Center |
| 006 | Y052740 | 62739 | | Nut, Lock |
| 007 | 22001903 | 8576635 | | Bolt |
| 008 | 211605 | | | Bezel, Timer Dial |
| " | 910387 | | | Lockwasher, Vault Assembly |
| 009 | NLA | | Not Available | CAM, LOCKING |
| 010 | 33001250 | | | Switch, Vault And Service Door |
| " | 912012 | 3400409 | | Screw |
| 011 | 22001910 | 22003679 | | Timer Access Door Assembly |

| | | | |
|-----|--------------------------|---------------------------|---------------------------|
| 012 | 22001965 | | Optic Switch Assembly |
| 013 | 314665 | | Screw, Switch Assembly |
| 014 | 33001253 | | Bracket, Sensor Switch |
| 015 | 211605 | | Bezel, Timer Dial |
| " | 212276 | W10116760 | Screw |
| 016 | 22001966 | | Harness, Sensor Switch |
| 017 | 216442 | | Rod, Actuator |
| 018 | 33001252 | | Spring, Switch Rod |
| 019 | 22001812 | 22003416 | Actuator Kit |
| 020 | 22002533 | | Weld Assembly, Funnel |
| " | 22002534 | | Bolt, Carriage |
| " | Y052721 | | Nut, Terminal Block Plate |

the laundry company[®]

the laundry company[®]

the laundry company[®]