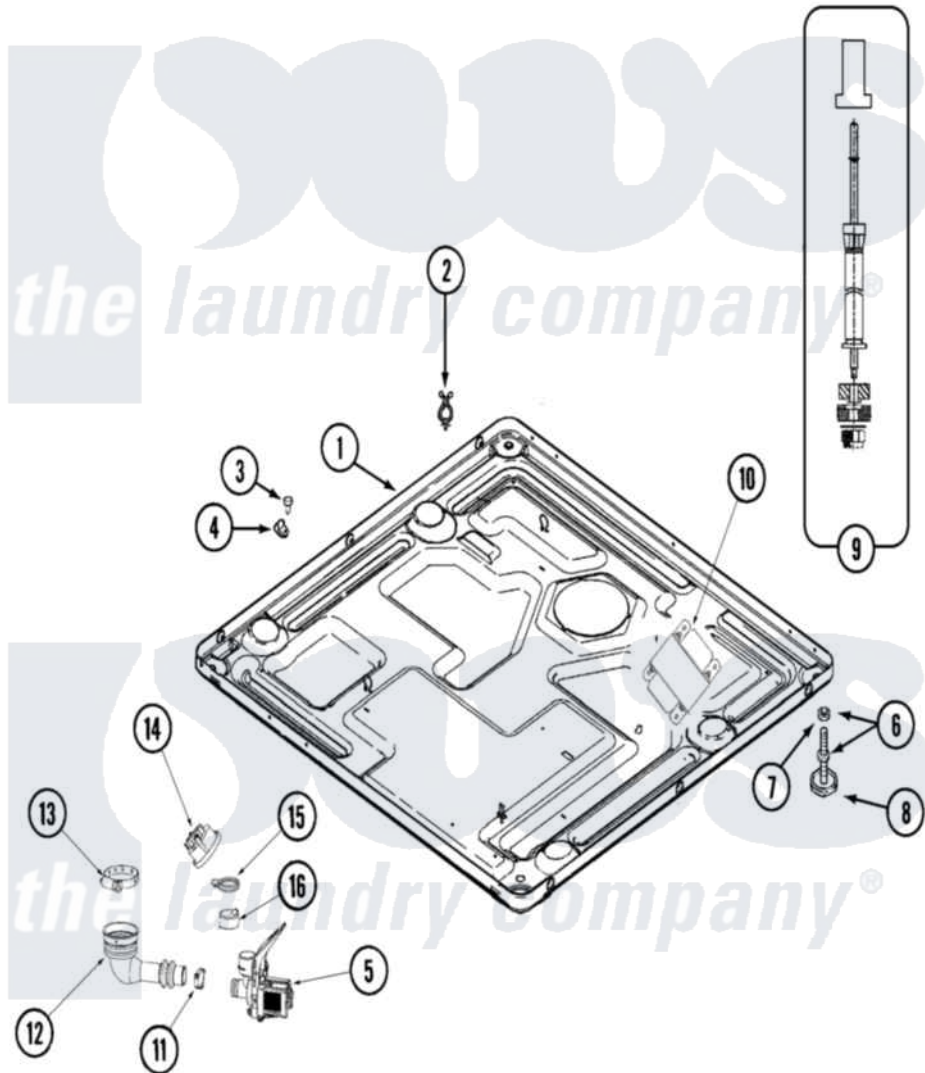


Maytag MAH21PDA3W 01 - BASE



Maytag [Residential Maytag MAH21PDA3W Washer Parts](#) Parts Diagram 01 - BASE
 Click on the part number to view part

Item	Original Part Number	Replaced By	Status	Part Description
001	22003298			Retainer, Wire
"	22003605			Base Weld Assembly
002	315471	22003298		Retainer, Wire
003	212276	W10116760		Screw
004	22002014			Clip, Harness To Support
005	22003791			Pump, Drain
"	22003903			Pump Terminal Shield
006	22003544			Adjustable Leg W/Foot And Nut
007	Y052740	62739		Nut, Lock
008	210684			Foot, Adjustable Leg
009	22001988			Strut Assembly-Rear
010	22002476	22003778		Transformer
"	22002477			Shield, Transformer
011	22001984	285655		Clamp, Hose
012	22003262			Hose, Tub To Pump Outlet
013	22002053	696392		Hose Clamp

014	22003728		Switch, Pressure Items 22-30 Listed As Series
"	NLA	Not Available	BAG, PLASTIC W/DRAWSTRING
015	22002853	285655	Clamp, Hose
016	22003268		Cap, Rubber

