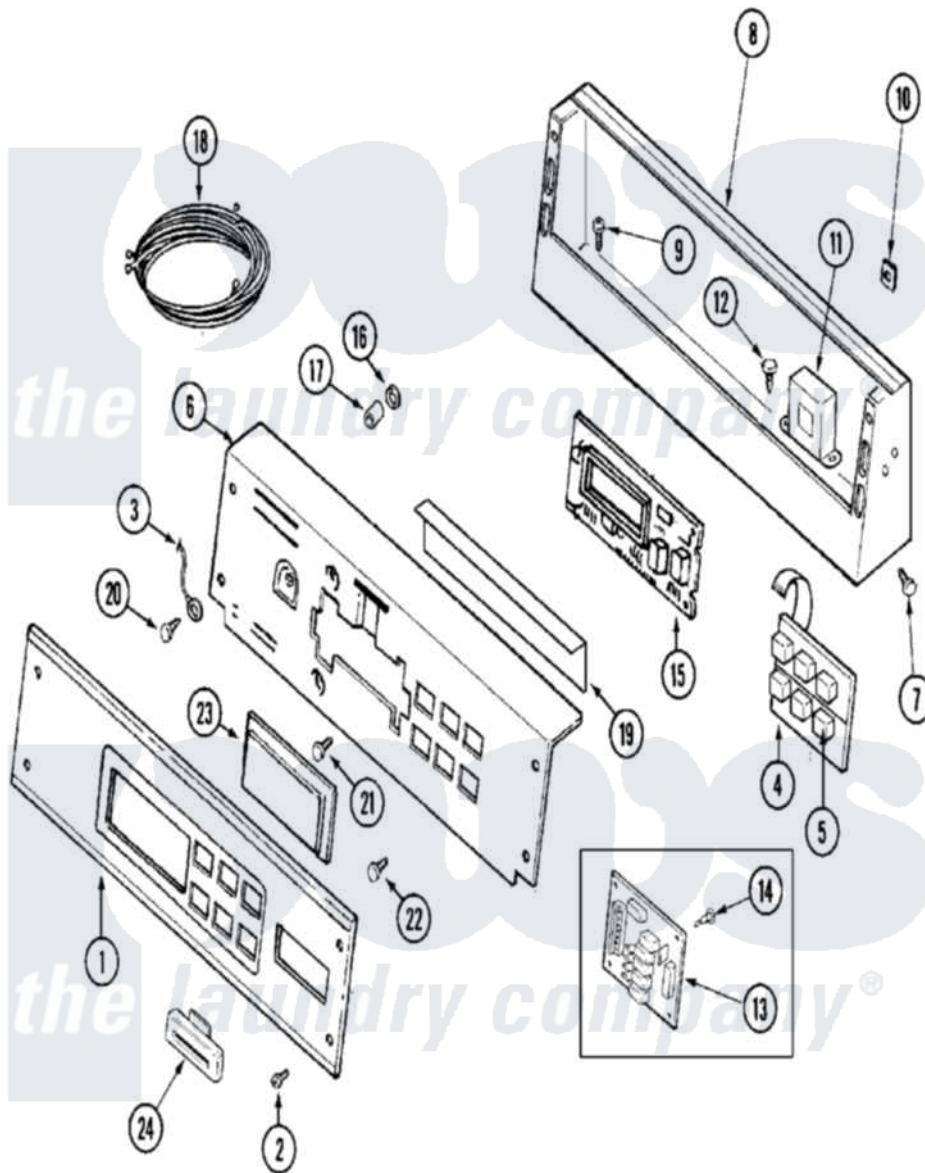


# Maytag MAH21PDAWW 01 - CONTROL PANEL



Maytag [Residential Maytag MAH21PDAWW Washer Parts](#) Parts Diagram 01 - CONTROL PANEL  
 Click on the part number to view part

Item	Original Part Number	Replaced By	Status	Part Description
001	22003688	<a href="#">22004349</a>		Facia - Pd/Ps
002	<a href="#">215506</a>			Screw, Control Panel Overlay
003	<a href="#">205810</a>			Wire, Ground
004	206808	<a href="#">W10135389</a>		Push Button And Switch Assembly
"	215527	<a href="#">W10140652</a>		Screw, 6-20 X 1/2
005	215517	<a href="#">W10131113</a>		Push Button
006	<a href="#">22003676</a>			Switch Brkt And Back Brkt
"	<a href="#">22003724</a>			Bracket, Back
007	212276	<a href="#">W10116760</a>		Screw
008	<a href="#">22003088</a>			Console
"	<a href="#">22003089</a>			Console
009	22002925	<a href="#">3370225</a>		Screw
010	<a href="#">215003</a>			Fastener, Panel And Bracket
011	<a href="#">22001960</a>			Transformer
012	22002925	<a href="#">3370225</a>		Screw
013	<a href="#">22004172</a>			Relay Board Drs

014	<a href="#">33001204</a>		Stand-Off, Ccontrol Board
015	22003689	<a href="#">22004335</a>	Control Board
"	22004255	<a href="#">22004335</a>	Control Board
016	<a href="#">912077</a>		Locknut, Reader Harness
017	<a href="#">22002943</a>		Stand-Off
018	<a href="#">22002782</a>		Pad, Foam
"	<a href="#">22003675</a>		Harness, Wire
"	22003830	<a href="#">3370225</a>	Screw
"	<a href="#">22003858</a>		EMI Suppression Filter, 16a
"	<a href="#">22003934</a>		Wire Harness
019	<a href="#">22002954</a>		Deflector, Water
020	210186	<a href="#">3370225</a>	Screw
021	<a href="#">215526</a>		Screw, Circuit Board
022	215527	<a href="#">W10140652</a>	Screw, 6-20 X 1/2
023	22001962	<a href="#">W10131114</a>	Cover, Display
024	NLA		Not Available
			MANUAL-USE & CARE

