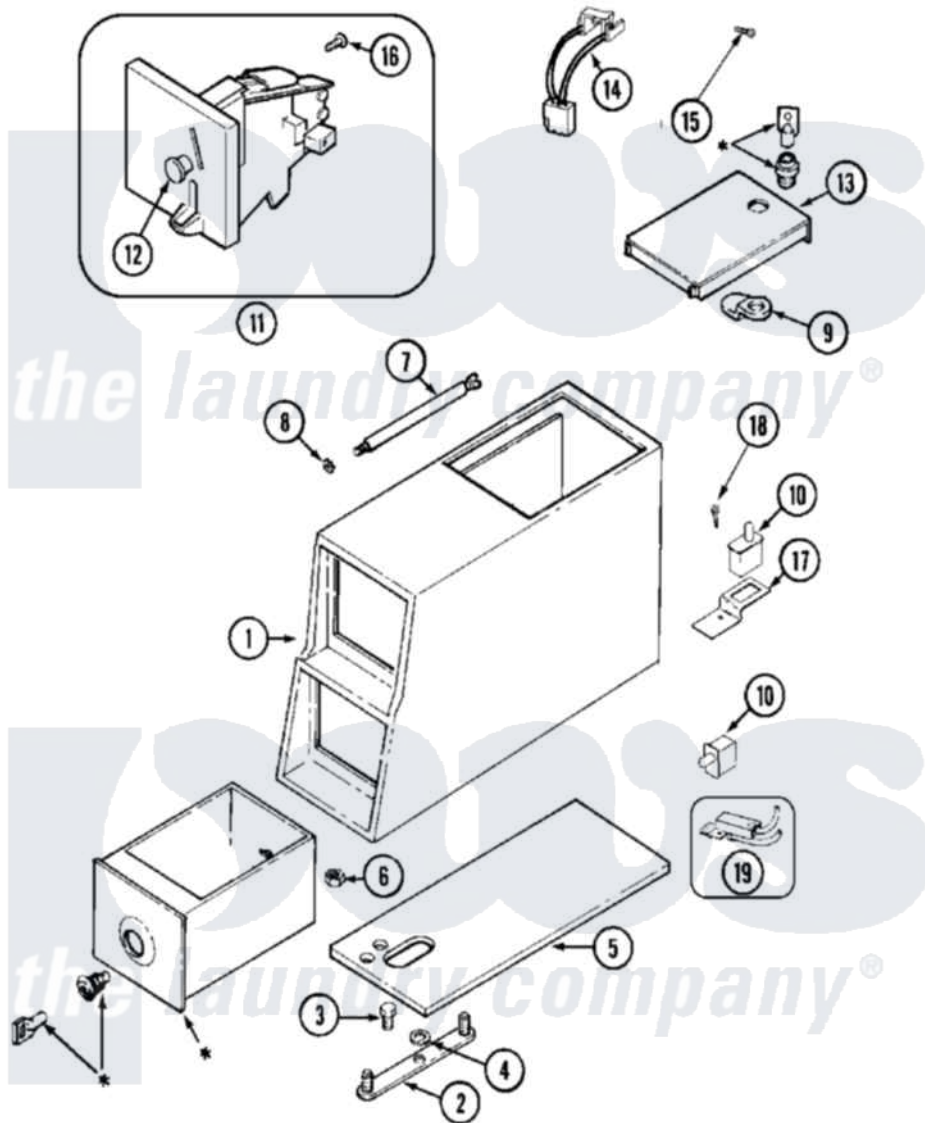


Maytag MAH21PDCXQ 02 - CONTROL CENTER



* CONTACT YOUR COMMERCIAL LAUNDRY DISTRIBUTOR

Maytag [Residential Maytag MAH21PDCXQ Washer Parts](#) Parts Diagram 02 - CONTROL CENTER
 Click on the part number to view part

Item	Original Part Number	Replaced By	Status	Part Description
001	22002480			Vault, Coin PD Coin Drop Supplied By Dist.
"	33002428	22002480		Vault, Coin PD Coin Drop Supplied By Dist.
002	22001810		Not Available	STRAP, MOUNTING
003	22002925	3370225		Screw
004	910309			Washer, Mounting Strap
005	22002072			Gasket, Control Center
"	22002618			Gasket, Control Center
006	Y052740	62739		Nut, Lock
007	22001903	8576635		Bolt
008	910181			Lockwasher, Terminal Block
009	22003677			Nut, Locking Cam
010	33001250			Switch, Vault And Service Door
011	22001875			Coin Drop Assembly-Dual
"	22002144			Single Faceplate

"	22002535	W10133245	Dual Coin Drop Assembly
"	22003678	22004112	Coin Drop Greenwald Us.25
"	22003815		Dual Faceplate
"	22004112		Coin Drop Greenwald Us.25
"	22004113	W10133245	Dual Coin Drop Assembly
"	22004114		Coin Drop Greenwald .25
"	33002644		Dual Faceplate Assembly
"	33002645		Coin Drop-Canada
"	33002646		Coin Drop-Canada
"	33002647		Single Faceplate Assembly
012	216200		Face Plate Return Button
013	22003679		Timer Access Door Assembly
"	22003692		Timer Access Door Assembly
014	22001965		Optic Switch Assembly
015	314665		Screw, Switch Assembly
016	22001069		Screw, Vault To Control Cover
017	22001404		Bracket, Service Switch
018	22001069		Screw, Vault To Control Cover
019	22001966		Harness, Sensor Switch

