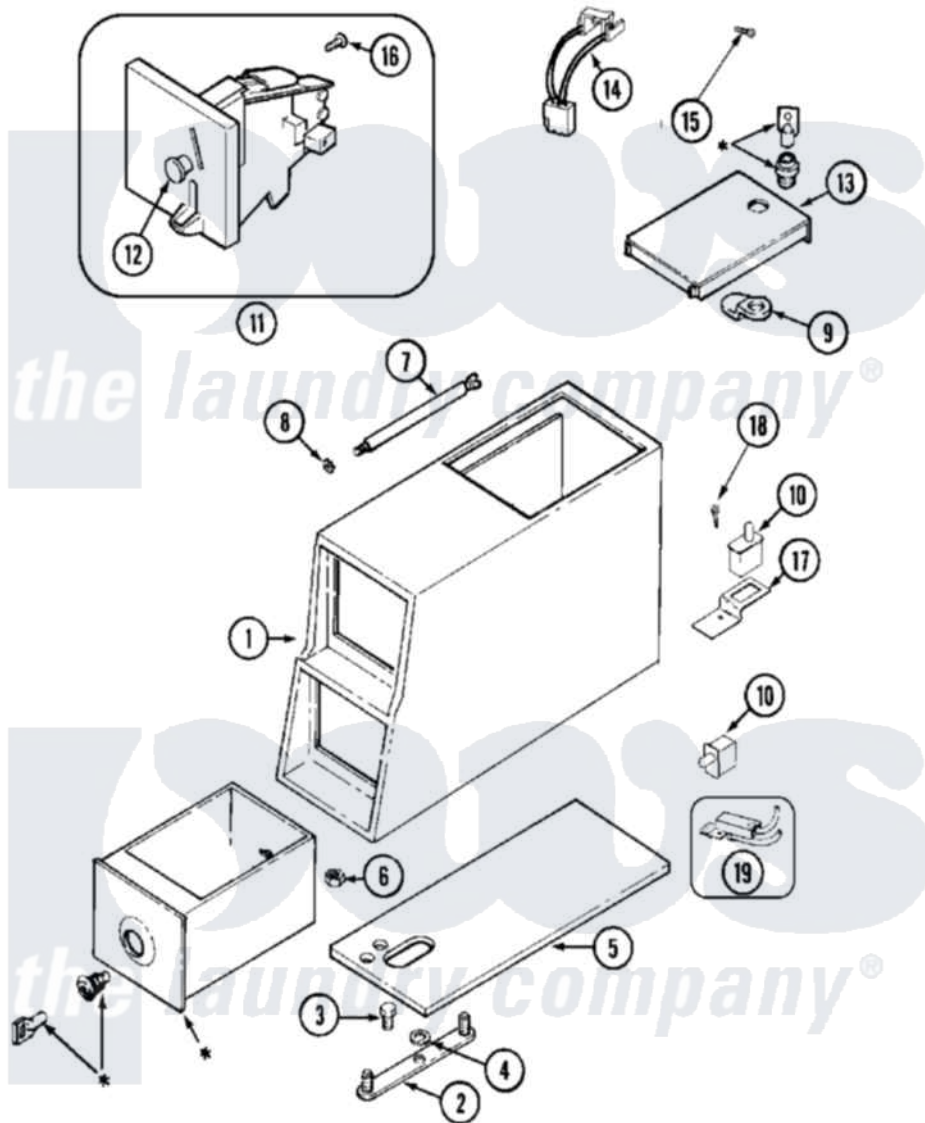


Maytag MAH21PDDWQ 02 - CONTROL CENTER



* CONTACT YOUR COMMERCIAL LAUNDRY DISTRIBUTOR

Maytag [Residential Maytag MAH21PDDWQ Washer Parts](#) Parts Diagram 02 - CONTROL CENTER

[Click on the part number to view part](#)

Item	Original Part Number	Replaced By	Status	Part Description
001	22002480			Vault, Coin PD Coin Drop Supplied By Dist.
"	33002428	22002480		Vault, Coin PD Coin Drop Supplied By Dist.
002	22001810		Not Available	STRAP, MOUNTING
003	22002925	3370225		Screw
004	910309			Washer, Mounting Strap
005	22002072			Gasket, Control Center
"	22002618			Gasket, Control Center
006	Y052740	62739		Nut, Lock
007	22001903	8576635		Bolt
008	910181			Lockwasher, Terminal Block
009	22003677			Nut, Locking Cam
010	33001250			Switch, Vault And Service Door
011	22003678	22004112		Coin Drop Greenwald Us.25
"	22004113	W10133245		Dual Coin Drop Assembly

"	22004114	Coin Drop Greenwald .25
"	33002644	Dual Faceplate Assembly
"	33002646	Coin Drop-Canada
"	33002647	Single Faceplate Assembly
012	216200	Face Plate Return Button
013	22003679	Timer Access Door Assembly
"	22003692	Timer Access Door Assembly
014	22001965	Optic Switch Assembly
015	314665	Screw, Switch Assembly
016	22001069	Screw, Vault To Control Cover
017	22001404	Bracket, Service Switch
018	22001069	Screw, Vault To Control Cover
019	22001966	Harness, Sensor Switch

the laundry company[®]

the laundry company[®]

the laundry company[®]