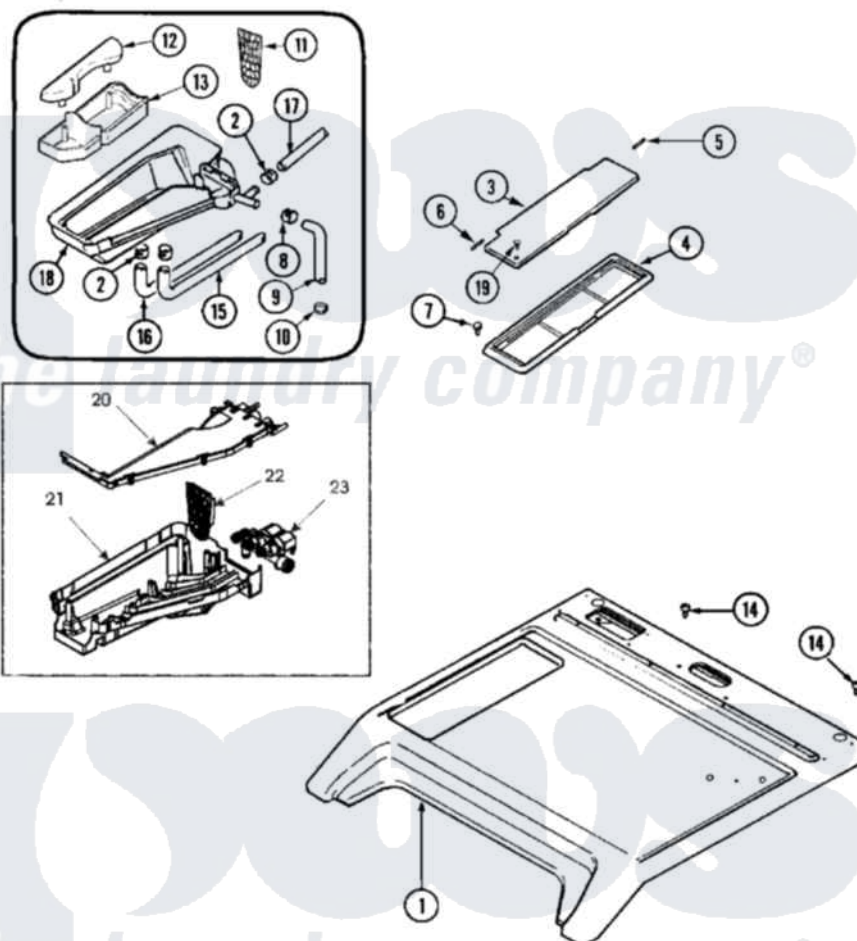


Maytag MAH21PNAWW 02 - TOP



Maytag [Residential Maytag MAH21PNAWW Washer Parts](#) Parts Diagram 02 - TOP
 Click on the part number to view part

Item	Original Part Number	Replaced By	Status	Part Description
001	22004230	22004180		Cover, Top
002	205161	489503		Clamp
003	12001671			Chemical Inject.dispenser Assembly
"	22002941			Lid, Dispenser Commercial
004	22003665			Bezel, Dispenser
005	Y912678	6-912678		Pin- Hinge
006	Y912679			Pin, Hinge
007	22002060	400021-1		Screw
008	22001984	285655		Clamp, Hose
009	22003259			Hose, Shower
010	201011	285655		Clamp, Hose
011	22003321			Grid, Dispenser
012	22002266			Cap, Siphon
"	22003849			Siphon Cap
013	22002265			Cup, Siphon
"	22003848			Siphon Cup

014	912365	3370225	Screw
015	22002551		Hose, Bleach
016	22003634		Hose, Fabric Softener
017	22003457		Hose, Detergent
018	22003320		Bottom, Dispenser Assembly
"	22003322		Top, Dispenser
"	22003723		Bottom, Dispenser
019	22003681	22003263	Screw, Sump Cap
020	22003845		Dispenser Cover
021	22003844		Dispenser Bottom
022	22003321		Grid, Dispenser
023	12001929		Valve Seal Kit
"	22001640	285655	Clamp, Hose
"	22003832		Fill Hose, Dispenser
"	22003833		Hose, Tub Shower
"	22003846	12001930	Dispenser Valve Assembly Kit

