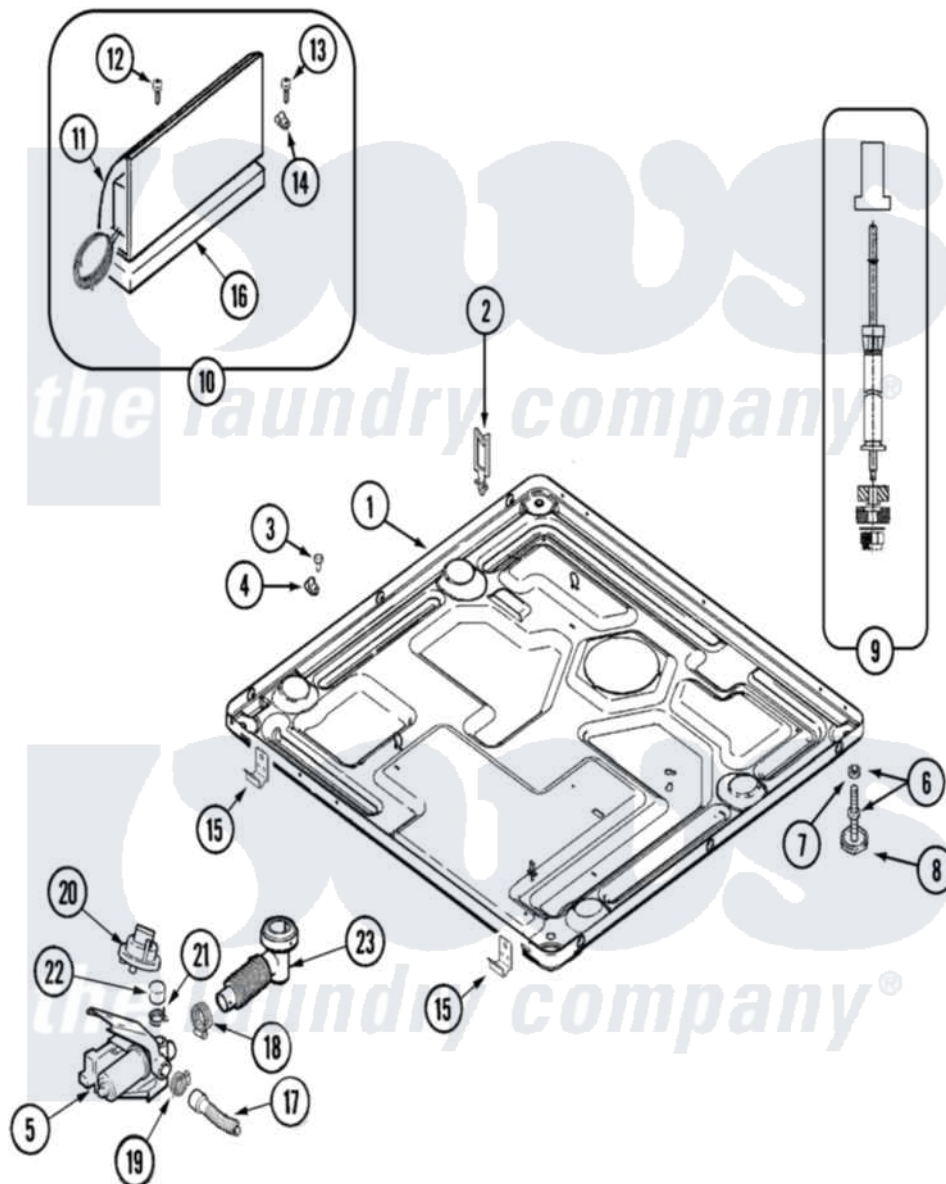


Maytag MAH21PRDWW 07 - BASE & MOTOR CONTROL



Maytag [Residential Maytag MAH21PRDWW Washer Parts](#) Parts Diagram 07 - BASE & MOTOR CONTROL
 Click on the part number to view part

| Item | Original Part Number | Replaced By | Status | Part Description |
|------|--------------------------|---------------------------|--------|-------------------------------|
| 001 | 22003926 | 22003435 | | Base, Assembly |
| 002 | 22003298 | | | Retainer, Wire |
| 003 | Y313561 | | | Screw---NA |
| 004 | 22003327 | | | Clamp, Lcd Harness To Cover |
| 005 | 22003244 | 25001052 | | Pump Assembly |
| 006 | 22003544 | | | Adjustable Leg W/Foot And Nut |
| 007 | Y052740 | 62739 | | Nut, Lock |
| 008 | 210684 | | | Foot, Adjustable Leg |
| 009 | 22001988 | | | Strut Assembly-Rear |
| 010 | 22004046 | | | Control Assembly, Motor |
| " | 22004473 | | | Motor Control Assembly |
| 011 | 22003614 | | | Shield, Motor Control Drip |
| 012 | 212276 | W10116760 | | Screw |
| 013 | 22002019 | | | Screw, Wire Clip To Motor Cnt |
| 014 | 22003327 | | | Clamp, Lcd Harness To Cover |
| | | | | Screw, Nut, Screw, Tumbler |

| | | | |
|-----|--------------------------|--------------------------|---|
| 015 | 22001995 | | Screw Note. Screw, Tumbler Front And Shroud |
| " | 22002239 | | Clip, Front Panel |
| 016 | 22003548 | | BRACKET, MTG. (SR MOTOR CTL) |
| 017 | 22003319 | 12001807 | Drain Hose Kit |
| 018 | 202515 | 596669 | Clamp, Manifold |
| " | 22001984 | 285655 | Clamp, Hose |
| 019 | 22002053 | 696392 | Hose Clamp |
| 020 | 22003728 | | Switch, Pressure Items 22-30 Listed As Series |
| 021 | 22002853 | 285655 | Clamp, Hose |
| 022 | 22003268 | | Cap, Rubber |
| 023 | 22003262 | | Hose, Tub To Pump Outlet |

the laundry company[®]

the laundry company[®]

the laundry company[®]