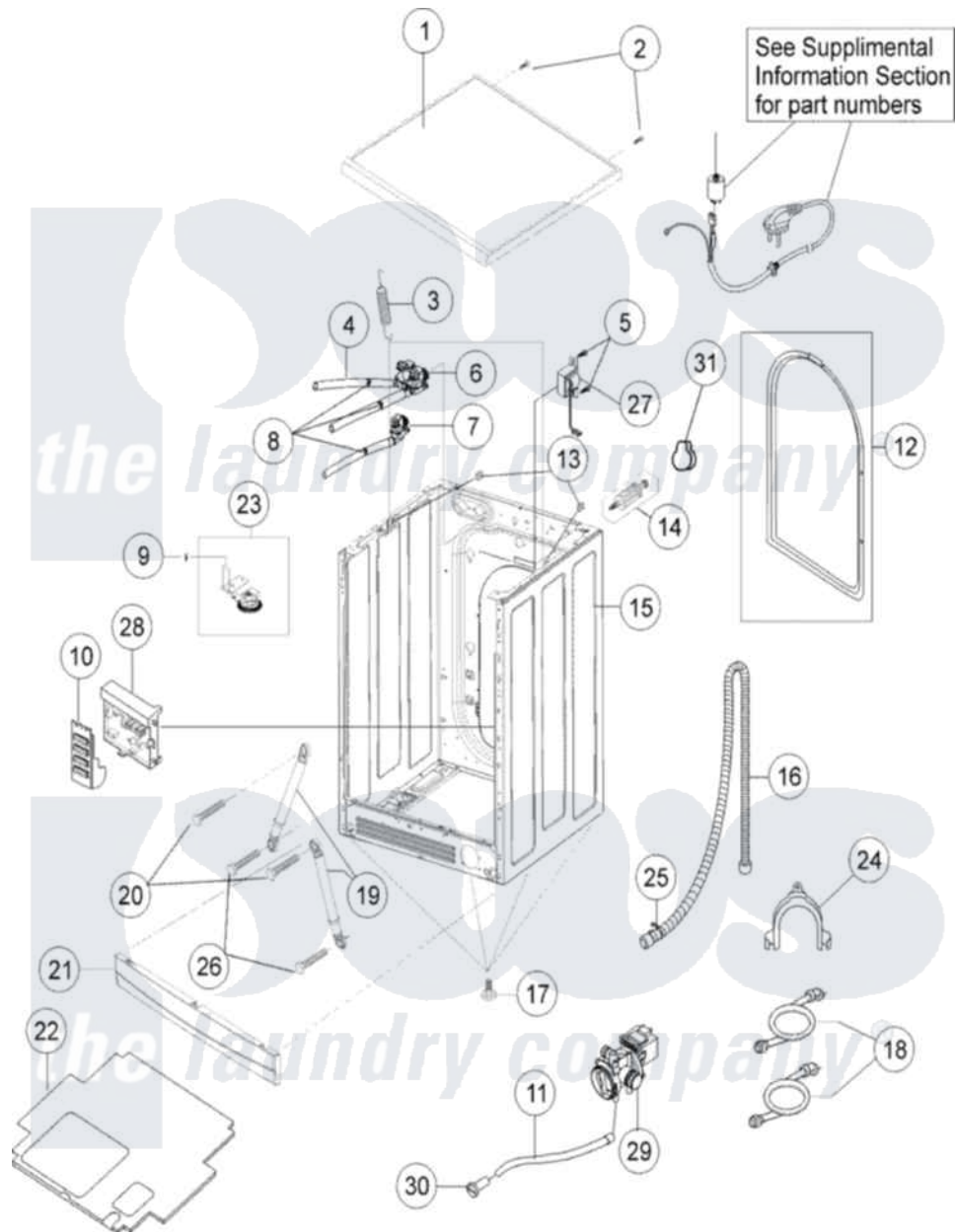


# Maytag MAH2440BGW 01 - CABINET



Maytag [Residential Maytag MAH2440BGW Washer Parts](#) Parts Diagram 01 - CABINET  
 Click on the part number to view part

| Item | Original Part Number        | Replaced By              | Status        | Part Description          |
|------|-----------------------------|--------------------------|---------------|---------------------------|
| 1    | <a href="#">34001128</a>    |                          |               | Assembly-Cover Top        |
| 2    | <a href="#">34001185</a>    |                          |               | Screw-Tapping             |
| 3    | <a href="#">34001137</a>    |                          |               | Spring-Hanger             |
| 4    | 34001249                    | <a href="#">34001210</a> |               | Hose-Dispe                |
| 5    | 6002-000213                 |                          | Not Available | Screw-Tapping (5)         |
| 6    | <a href="#">34001358</a>    |                          |               | Valve-Water               |
| 7    | <a href="#">34001359</a>    |                          |               | Valve-Water               |
| 8    | 34001208                    | <a href="#">596669</a>   |               | Clamp, Manifold           |
| 9    | <a href="#">6006-001170</a> |                          |               | Screw-Tapping             |
| 10   | <a href="#">34001372</a>    |                          |               | Guide-Cover Pcb           |
| 11   | <a href="#">34001371</a>    |                          |               | Hose-Drain                |
| 12   | <a href="#">34001092</a>    |                          |               | Cover-Back                |
| 13   | <a href="#">34001097</a>    |                          |               | Guide, Spring-Washer Only |
| 14   | <a href="#">34001134</a>    |                          |               | Assembly-Fixer Tub        |
| 15   | <a href="#">34001362</a>    |                          |               | Assembly-Frame            |
| 16   | <a href="#">34001363</a>    |                          |               | Assembly-Hose Drain       |

|    |                          |                          |                                 |
|----|--------------------------|--------------------------|---------------------------------|
| 17 | <a href="#">34001096</a> |                          | Assembly-Leg                    |
| 18 | <a href="#">34001364</a> |                          | Hose-Water - Cold               |
| "  | <a href="#">34001396</a> |                          | Hose-Water - Hot                |
| 19 | 34001132                 | <a href="#">34001447</a> | Damper                          |
| "  | <a href="#">34001447</a> |                          | Damper                          |
| 20 | <a href="#">34001148</a> |                          | Bolt                            |
| 21 | <a href="#">34001365</a> |                          | Cover-Front                     |
| 22 | <a href="#">34001198</a> |                          | Shutter                         |
| 23 | <a href="#">34001209</a> |                          | Assembly-Sensor/Pressure Switch |
| 24 | 34001200                 | <a href="#">34001500</a> | Guide Hose                      |
| 25 | 34001366                 | <a href="#">3367052</a>  | Clamp, Hose                     |
| 26 | <a href="#">34001147</a> |                          | Bolt                            |
| 27 | <a href="#">34001367</a> |                          | Trans-Reactor V                 |
| 28 | <a href="#">34001368</a> |                          | Assembly-Pcb Parts              |
| 29 | <a href="#">34001370</a> |                          | Assembly-Pump Drain             |
| 30 | <a href="#">34001369</a> |                          | Cap-Drain                       |
| 31 | <a href="#">34001395</a> |                          | Stack Kit, 27"                  |

