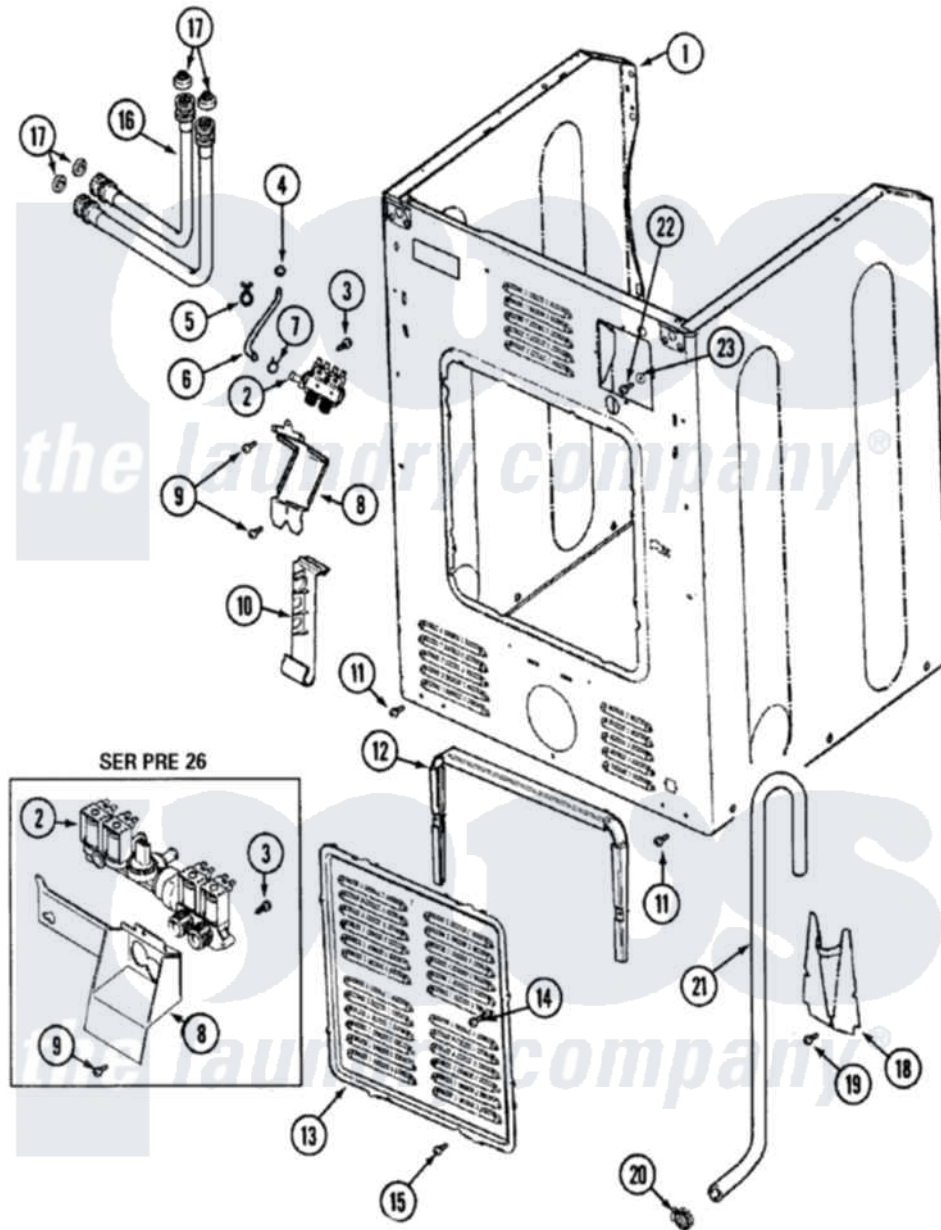


# Maytag MAH3000AWA 03 - CABINET-REAR



Maytag [Residential Maytag MAH3000AWA Washer Parts](#) Parts Diagram 03 - CABINET-REAR  
 Click on the part number to view part

Item	Original Part Number	Replaced By	Status	Part Description
1	12001425	<a href="#">22003639</a>		Cabinet Assembly
"	22002549	<a href="#">22003639</a>		Cabinet Assembly
"	22002445		Not Available	LABEL, SAFETY
"	22002444			LABEL, ENERGY
2	<a href="#">22002294</a>			Valve, Water
"	205161	<a href="#">489503</a>		Clamp
"	<a href="#">22002558</a>			Valve, Water
3	<a href="#">Y313561</a>			Screw----NA
"	<a href="#">22002436</a>			Screw, Water Valve Bracket
4	22002054	<a href="#">285655</a>		Clamp, Hose
5	22002027	<a href="#">74007164</a>		Lock- Purs
6	22002179	<a href="#">8539404</a>		Tie-Wire
"	<a href="#">22002296</a>			Hose, Injector
7	216169	<a href="#">596669</a>		Clamp, Manifold
8	<a href="#">33002212</a>			Bracket, Water Valve
"	22002089	<a href="#">22002572</a>		Bracket- W

9	22001996	<a href="#">3370225</a>	Screw
10	22002076	<a href="#">33002213</a>	Rack, Hose
11	<a href="#">22001995</a>		Screw Note: Screw, Tumbler Front And Shroud
12	<a href="#">22002022</a>		Spacer, Access Panel
13	<a href="#">22002092</a>		Panel, Access
14	22002295	<a href="#">67006908</a>	Screw, Ice Rack
15	22001996	<a href="#">3370225</a>	Screw
16	22002229	<a href="#">22002960</a>	Strainer, Washer Inlet
"	<a href="#">202860</a>		Inlet Hose Assembly
17	<a href="#">Y013783</a>		Washer, Inlet Hose
18	22002093	<a href="#">22002704</a>	Cover, Drain Hose
19	<a href="#">22001995</a>		Screw Note: Screw, Tumbler Front And Shroud
20	22001984	<a href="#">285655</a>	Clamp, Hose
21	22002085	<a href="#">12001807</a>	Drain Hose Kit
22	<a href="#">33001245</a>		Screw---NA
23	313363	Not Available	WASHER
24	12001429	<a href="#">12001674</a>	Drain Hose

