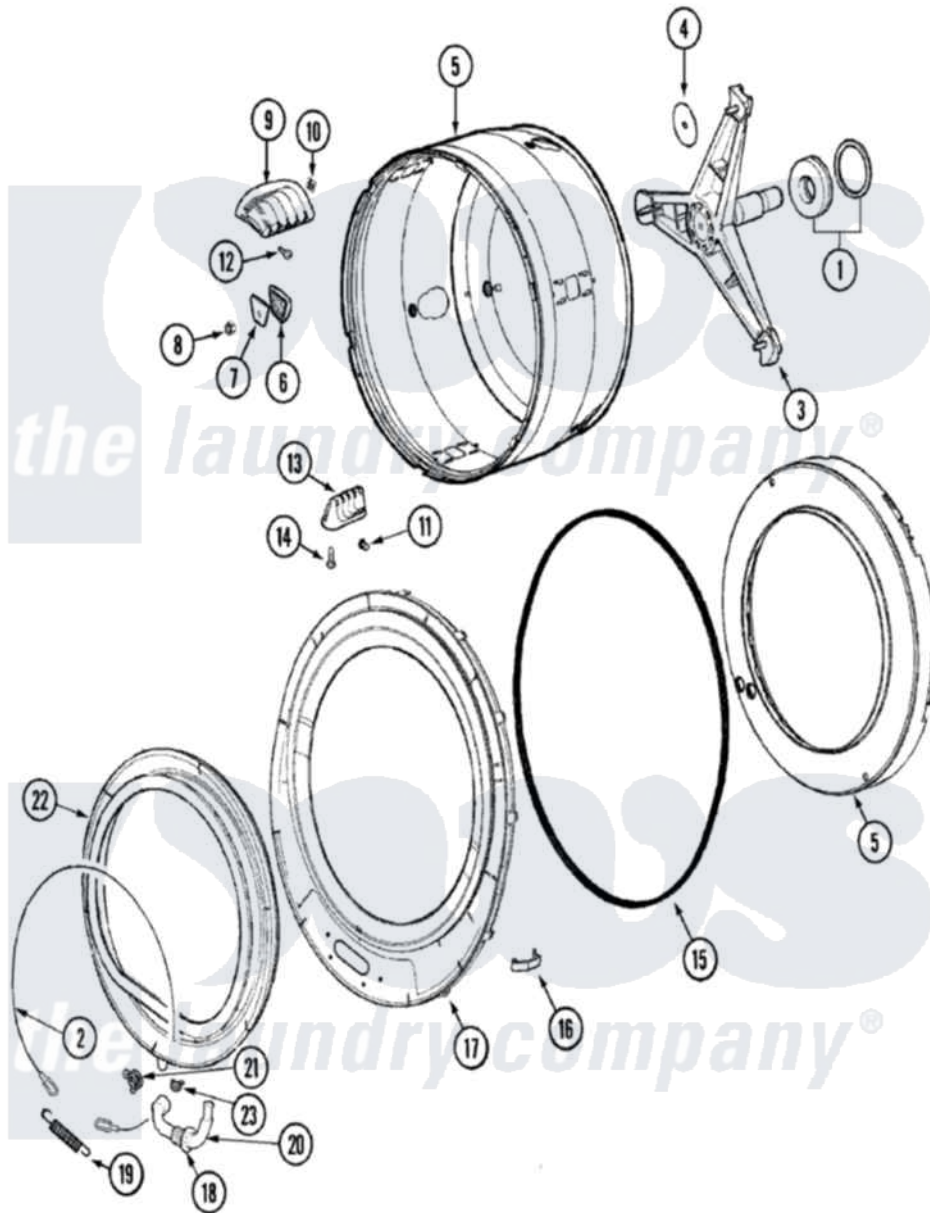


Maytag MAH3000BGW 09 - SPINNER ASSEMBLY & OUTER TUB COVER



Maytag Residential Maytag MAH3000BGW Washer Parts Parts Diagram 09 - SPINNER ASSEMBLY & OUTER TUB COVER

[Click on the part number to view part](#)

Item	Original Part Number	Replaced By	Status	Part Description
1	12002022			Lip Seal Kit
"	12001478	12002022		Lip Seal Kit
2	22002327			Wire, Boot Clamp
3	22002897	W10181639		Support
"	22004108			O Ring
"	22004081	W10181639		Support
"	22003925	W10181639		Support
"	22002123			Tube, Molykote
4	22002023			Washer, Plastic
5	22003549	6-2717080		Spinner As
"	22003263			Screw, Sump Cap
"	22003263			Screw, Sump Cap
"	22003257	22003710		Sump Cap W/ Labyrinth Feature
"	22003257	22003710		Sump Cap W/ Labyrinth Feature

6	22002482		Washer, Profile
7	22002020		Washer, Spinner Support
8	22002122	2207454	Nut, Hex
9	22001985		Baffle, Drip
10	22002009		Grommet, Baffle
11	22001999		Grommet, Baffle
12	22003556		Screw, Baffle
13	22001986		Baffle, Drip
14	22002059		Screw, Baffle
15	22002077		Seal, Tub Cover
16	22002050		Clip, Tub To Cover
17	22004264	22004254	Cover, Tub W/Sealandcaps Aspk
"	22003212		Cover, Tub --W
18	22003074		Guard, Hose
19	22002099		Spring, Tub
20	22003071	22004477	Drain Hose, Door Boot
21	22003072		CLAMP, HOSE DOUBLE WIRE
22	12001772	12002533	Boot Kit
23	22003073	596669	Clamp, Manifold

