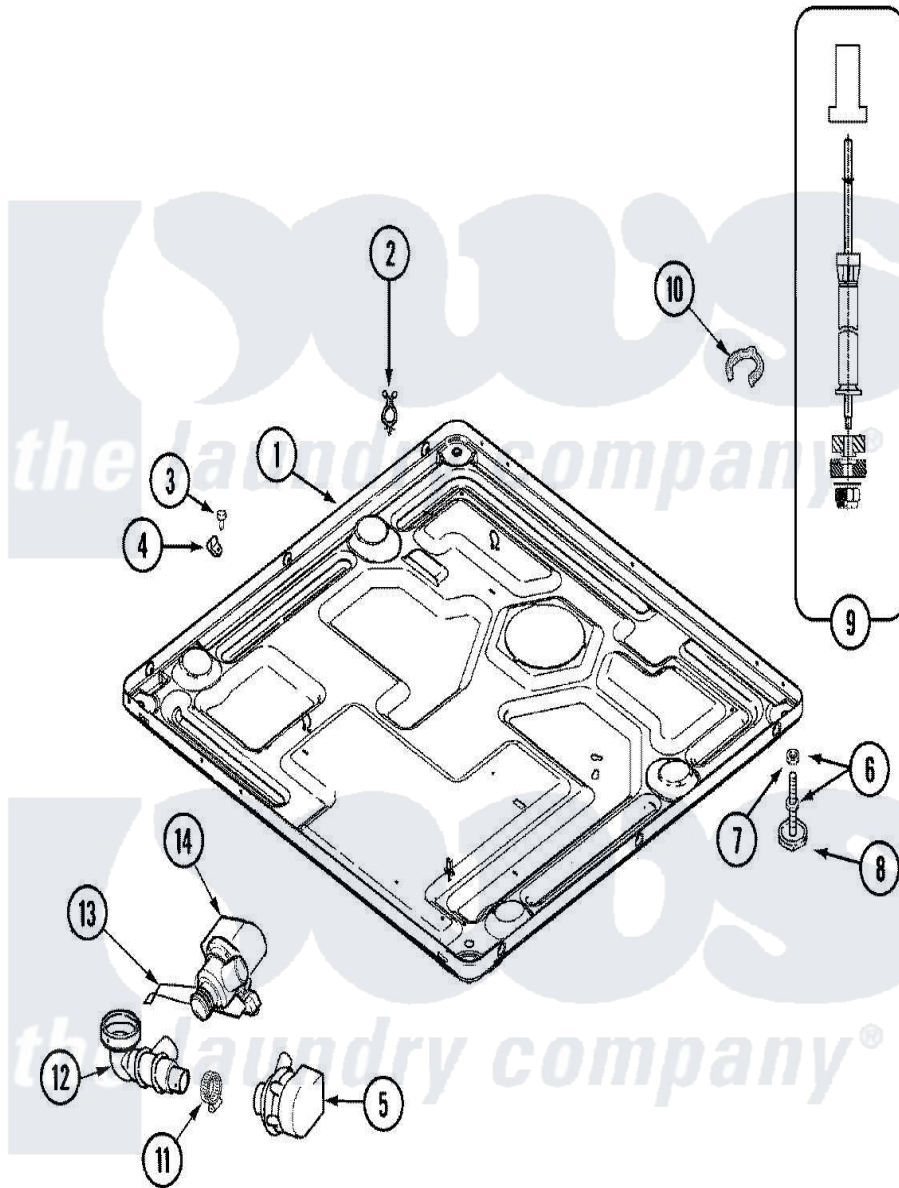


# Maytag MAH4000AWW 01 - BASE



Maytag [Residential Maytag MAH4000AWW Washer Parts](#) Parts Diagram 01 - BASE  
 Click on the part number to view part

| Item | Original Part Number     | Replaced By               | Status | Part Description              |
|------|--------------------------|---------------------------|--------|-------------------------------|
| 1    | <a href="#">22003605</a> |                           |        | Base Weld Assembly            |
| "    | 22002240                 | <a href="#">22003435</a>  |        | Base, Assembly                |
| 2    | 315471                   | <a href="#">22003298</a>  |        | Retainer, Wire                |
| 3    | 212276                   | <a href="#">W10116760</a> |        | Screw                         |
| 4    | <a href="#">22002014</a> |                           |        | Clip, Harness To Support      |
| 5    | <a href="#">25001012</a> |                           |        | Pump Isolator Bracket         |
| "    | <a href="#">22003059</a> |                           |        | Pump, Drain                   |
| "    | 22002794                 | <a href="#">22003059</a>  |        | Pump, Drain                   |
| 6    | 22001915                 | <a href="#">22003544</a>  |        | Adjustable Leg W/Foot And Nut |
| 7    | Y052740                  | <a href="#">62739</a>     |        | Nut, Lock                     |
| 8    | <a href="#">210684</a>   |                           |        | Foot, Adjustable Leg          |
| 9    | <a href="#">22001988</a> |                           |        | Strut Assembly-Rear           |
| 10   | <a href="#">22003080</a> |                           |        | Clip, Airdome Hose            |
| 11   | 202515                   | <a href="#">596669</a>    |        | Clamp, Manifold               |
| 12   | <a href="#">22002958</a> |                           |        | Hose, Outlet                  |
| "    | 22002793                 | <a href="#">22002958</a>  |        | Hose, Outlet                  |

|    |                          |                        |                     |
|----|--------------------------|------------------------|---------------------|
| 13 | <a href="#">22002790</a> |                        | Bracket, Pump Mount |
| 14 | 202515                   | <a href="#">596669</a> | Clamp, Manifold     |
| "  | <a href="#">22002792</a> |                        | Pump                |

