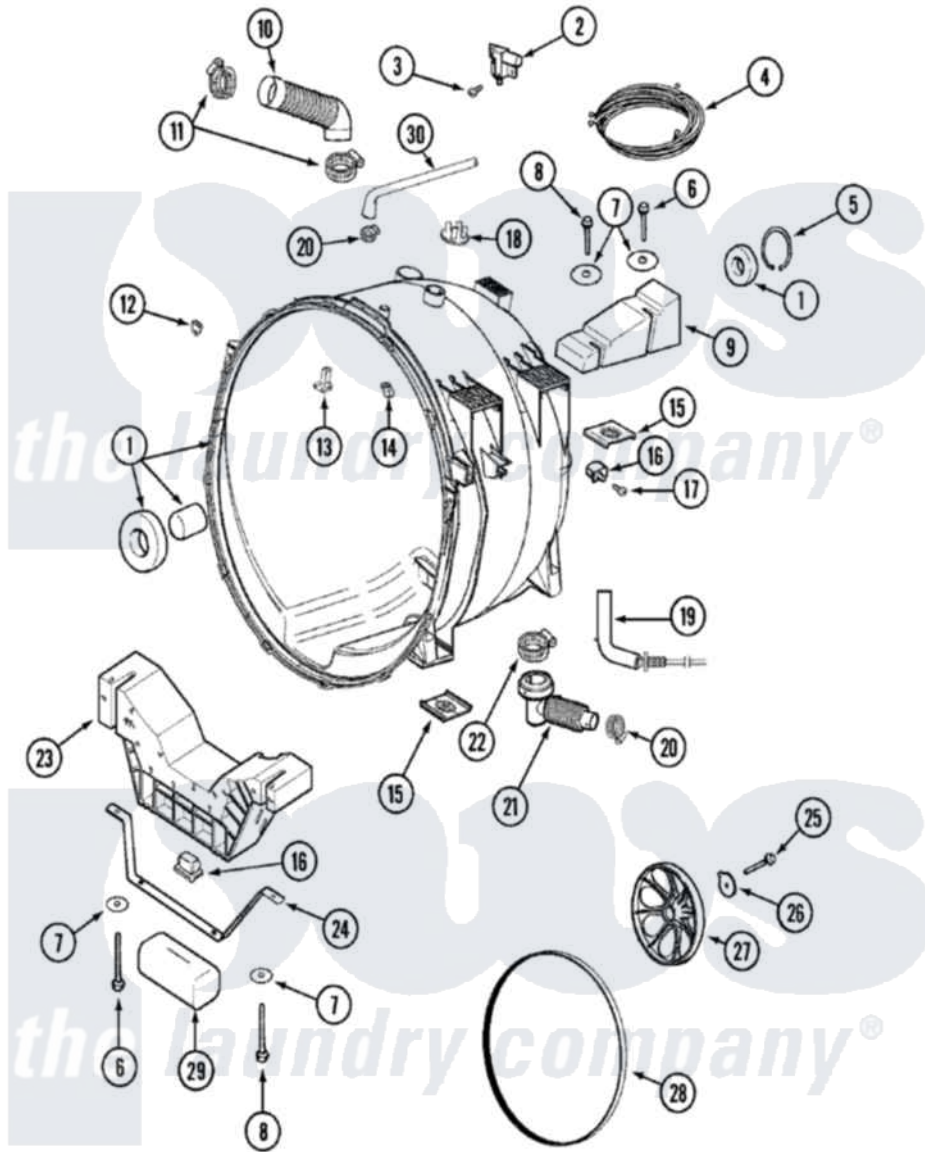


Maytag MAH5500AWW 08 - OUTER TUB



Maytag [Residential Maytag MAH5500AWW Washer Parts](#) Parts Diagram 08 - OUTER TUB
 Click on the part number to view part

| Item | Original Part Number | Replaced By | Status | Part Description |
|------|--------------------------|--------------------------|---------------|--------------------------------|
| 1 | 22004080 | 22004465 | | Outer Tub Assembly, As Pack |
| " | 22002907 | 22004465 | | Outer Tub Assembly, As Pack |
| 2 | 22002045 | 22003302 | | Switch, Internal Unbalance |
| 3 | 22002300 | 9740848 | | Screw, Mixing Valve Mounting |
| 4 | 33002216 | 12001798 | | Kit-Harnes |
| 5 | 22001981 | | Not Available | RING, RETAINING |
| 6 | 22001991 | 22003615 | | Bolt, Double Sems 5-3/8 |
| 7 | 22002067 | | Not Available | WASHER, COUNTER BALANCE |
| 8 | 22002056 | 22003616 | | Bolt, Double Sems 3-3/8 |
| 9 | 22002102 | | | Weight, Counter Balance |
| 10 | 22002083 | | | Hose, Injector |
| 11 | 22002052 | 616099 | | Clamp |
| 12 | 22002103 | | | Clip, U |
| 13 | 22002959 | 22004310 | | Water Deflector |
| 14 | 22002006 | | | Clip, Unbalance Switch Harness |

| | | | |
|----|--------------------------|--------------------------|--------------------------|
| " | 22002583 | | Wire Wrap |
| 15 | 22002065 | | Nut, Counter Balance |
| 16 | 22002044 | | Switch, Tub Displacement |
| 17 | 22002061 | 910187 | Screw |
| 18 | 22002061 | 910187 | Screw |
| " | 22002797 | | Clip, Hose |
| 19 | 22002010 | | Hose, Pressure Switch |
| " | 22002799 | M0322202 | Tie Wire |
| 20 | 202515 | 596669 | Clamp, Manifold |
| 21 | 22002958 | | Hose, Outlet |
| 22 | 22002053 | 696392 | Hose Clamp |
| 23 | 22002579 | Not Available | WEIGHT ASSEMBLY (FRT) |
| 24 | 22002008 | | Strap |
| 25 | 22002057 | 22003937 | Screw, Retaining Bolt |
| 26 | 22002055 | 22003936 | Washer |
| " | 22003936 | | Washer |
| 27 | 22001998 | 22002315 | Pulley, Spinner |
| 28 | 12001435 | 12001788 | Kit, Belt And Isolator-W |
| 29 | 22002011 | Not Available | CUSHION |

