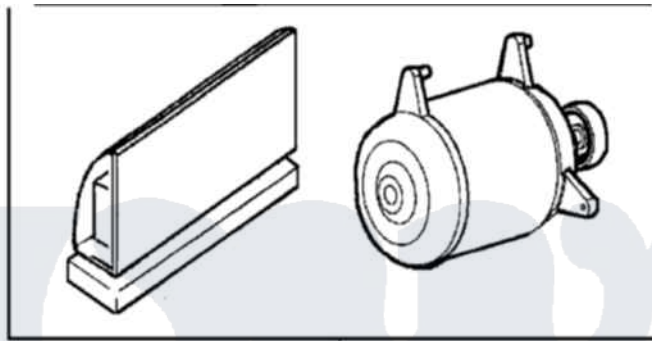
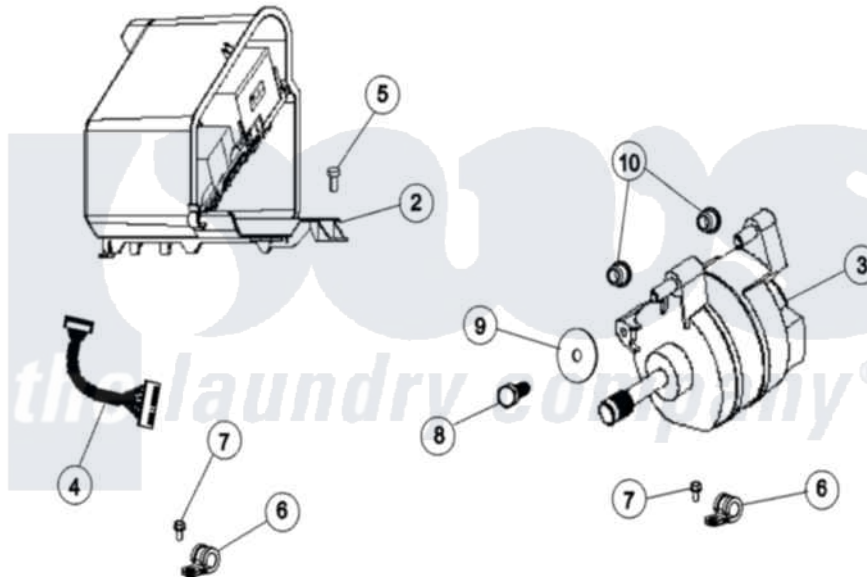
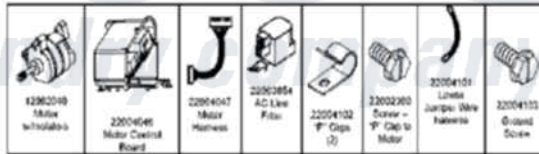


Maytag MAH7500AWQ 07 - MOTOR & MOTOR CONTROL



1 USE FOR ITEM 2 PRIOR TO SERIES 88

ITEM 1 - KIT CONTAINS:



Maytag [Residential Maytag MAH7500AWQ Washer Parts](#) Parts Diagram 07 - MOTOR & MOTOR CONTROL
 Click on the part number to view part

| Item | Original Part Number | Replaced By | Status | Part Description |
|------|--------------------------|---------------------------|--------|---|
| 1 | 12002039 | | | Neptune Motor Conversion Kit |
| 2 | 22001995 | | | Screw Note: Screw, Tumbler Front And Shroud |
| " | 22004473 | | | Motor Control Assembly |
| " | 22004473 | | | Motor Control Assembly |
| " | 22004473 | | | Motor Control Assembly |
| " | 22004046 | | | Control Assembly, Motor |
| " | 22001995 | | | Screw Note: Screw, Tumbler Front And Shroud |
| " | 22001995 | | | Screw Note: Screw, Tumbler Front And Shroud |
| 3 | 22003856 | | | Motor, Variable Speed |
| " | 22003442 | 12002039 | | Neptune Motor Conversion Kit |
| 4 | 22003855 | 22004212 | | Motor Harness |
| " | 2205144 | | | Harness, Wire |
| " | 2205144 | | | Harness, Wire |
| 5 | 212276 | W10116760 | | Screw |

| | | | |
|----|--------------------------|--------------------------|---------------------------|
| 6 | 22002173 | 22002014 | Clip, Harness To Support |
| 7 | Y310632 | 1163839 | Screw |
| 8 | 22002058 | 22003599 | Bolt- Moto |
| " | 22003686 | | Bolt, Motor |
| 9 | 22002086 | 22002320 | Washer, Belt Tension Bolt |
| 10 | 22003226 | 22003329 | Isolator, Motor |

