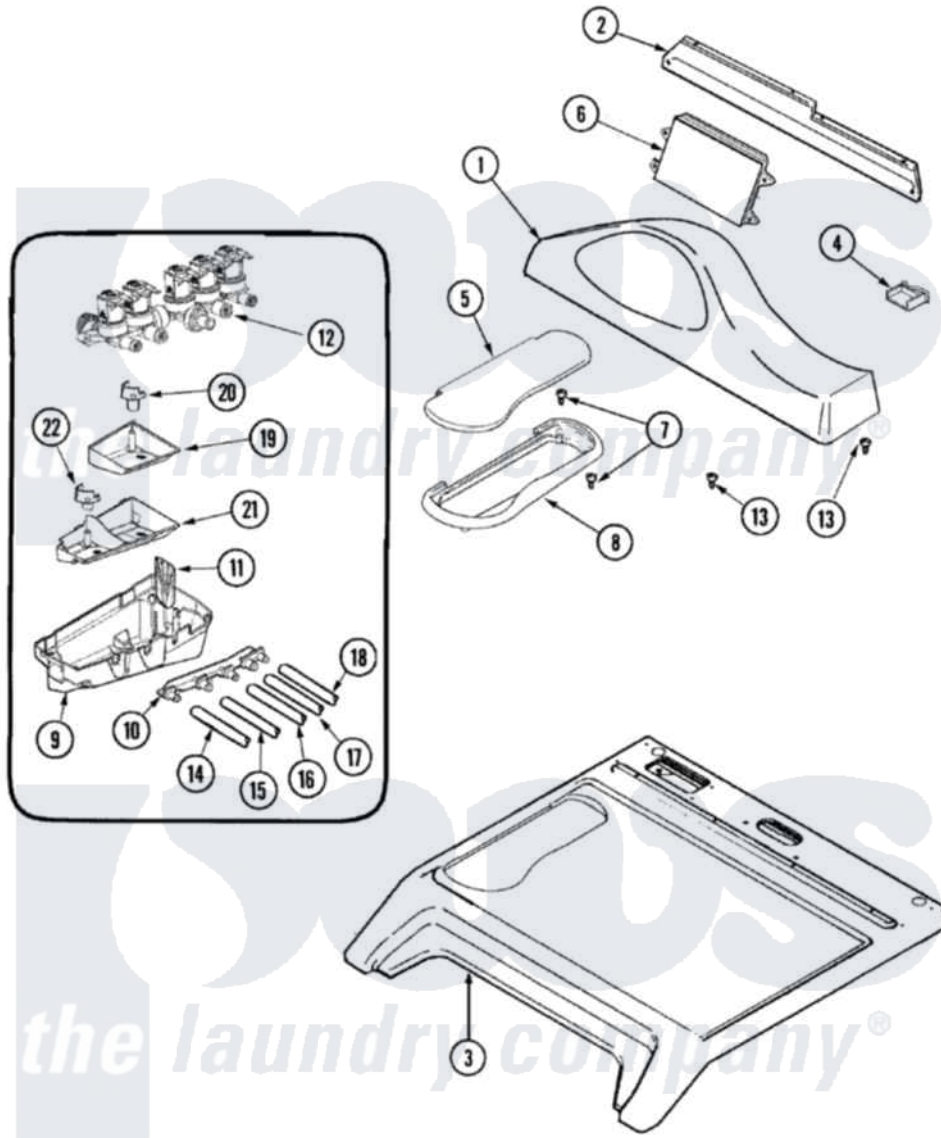


# Maytag MAH7550AAW 04 - CONTROL PANEL & TOP



Maytag [Residential Maytag MAH7550AAW Washer Parts](#) Parts Diagram 04 - CONTROL PANEL & TOP  
 Click on the part number to view part

| Item | Original Part Number     | Replaced By              | Status | Part Description                  |
|------|--------------------------|--------------------------|--------|-----------------------------------|
| 1    | 22003817                 | <a href="#">3370225</a>  |        | Screw                             |
| "    | 912365                   | <a href="#">3370225</a>  |        | Screw                             |
| "    | 22003757                 | <a href="#">22004238</a> |        | Lcd Membrane Pac Console Assembly |
| "    | <a href="#">22003725</a> |                          |        | Nut, 8mm                          |
| "    | 22003817                 | <a href="#">3370225</a>  |        | Screw                             |
| "    | <a href="#">22003858</a> |                          |        | EMI Suppression Filter, 16a       |
| "    | <a href="#">22003909</a> |                          |        | Bracket, Power Line Filter        |
| "    | <a href="#">22003050</a> |                          |        | Wire, Ground                      |
| "    | <a href="#">22003047</a> |                          |        | Filter, Power Line                |
| 2    | <a href="#">22003581</a> |                          |        | Back, Console Panel               |
| 3    | 22002925                 | <a href="#">3370225</a>  |        | Screw                             |
| "    | 22003584                 | <a href="#">22004180</a> |        | Cover, Top                        |
| 4    | <a href="#">22003276</a> |                          |        | Cover, Console Plug               |
| 5    | <a href="#">22003760</a> |                          |        | Lid, Dispenser - Export           |
| 6    | <a href="#">22004238</a> |                          |        | Lcd Membrane Pac Console Assembly |

|    |                          |                          |                               |
|----|--------------------------|--------------------------|-------------------------------|
| "  | 22003782                 | <a href="#">22004388</a> | Control BO                    |
| "  | 22002061                 | <a href="#">910187</a>   | Screw                         |
| 7  | 22003681                 | <a href="#">22003263</a> | Screw, Sump Cap               |
| 8  | <a href="#">22003273</a> |                          | Bezel, Dispenser              |
| 9  | <a href="#">22003761</a> |                          | Bottom, Dispenser Assembly    |
| 10 | <a href="#">22003762</a> |                          | Diverter, Water               |
| 11 | <a href="#">22003763</a> |                          | Grid, Dispenser               |
| 12 | <a href="#">22002436</a> |                          | Screw, Water Valve Bracket    |
| "  | <a href="#">22003749</a> |                          | Valve, Water                  |
| 13 | 912365                   | <a href="#">3370225</a>  | Screw                         |
| 14 | 22003933                 | <a href="#">285655</a>   | Clamp, Hose                   |
| "  | <a href="#">22003768</a> |                          | Hose, Internal Softener Fill  |
| 15 | 22003933                 | <a href="#">285655</a>   | Clamp, Hose                   |
| "  | <a href="#">22003769</a> |                          | Hose, Internal Bleach Fill    |
| 16 | 22003933                 | <a href="#">285655</a>   | Clamp, Hose                   |
| "  | <a href="#">22003772</a> |                          | Hose, Internal Main Wash Fill |
| 17 | <a href="#">22003771</a> |                          | Hose, Internal Pre-Wash Fill  |
| "  | 22003933                 | <a href="#">285655</a>   | Clamp, Hose                   |
| 18 | <a href="#">22003770</a> |                          | Hose, Internal Hot Fill       |
| "  | 22003933                 | <a href="#">285655</a>   | Clamp, Hose                   |
| 19 | <a href="#">22003764</a> |                          | Cup, Liquid Detergent         |
| 20 | <a href="#">22003765</a> |                          | Siphon Cap, Liquid Detergent  |
| 21 | <a href="#">22003766</a> |                          | Dispenser Cup, Main           |
| 22 | <a href="#">22003767</a> |                          | Siphon Cap, Dispenser Main    |
| 23 | <a href="#">22003909</a> |                          | Bracket, Power Line Filter    |
| 24 | <a href="#">22003047</a> |                          | Filter, Power Line            |
| 25 | <a href="#">22003050</a> |                          | Wire, Ground                  |
| 26 | 912365                   | <a href="#">3370225</a>  | Screw                         |
| 27 | 22003817                 | <a href="#">3370225</a>  | Screw                         |
| 28 | <a href="#">22003725</a> |                          | Nut, 8mm                      |
| 29 | 22004082                 | Not Available            | SEAL INSERTION TOOL           |

