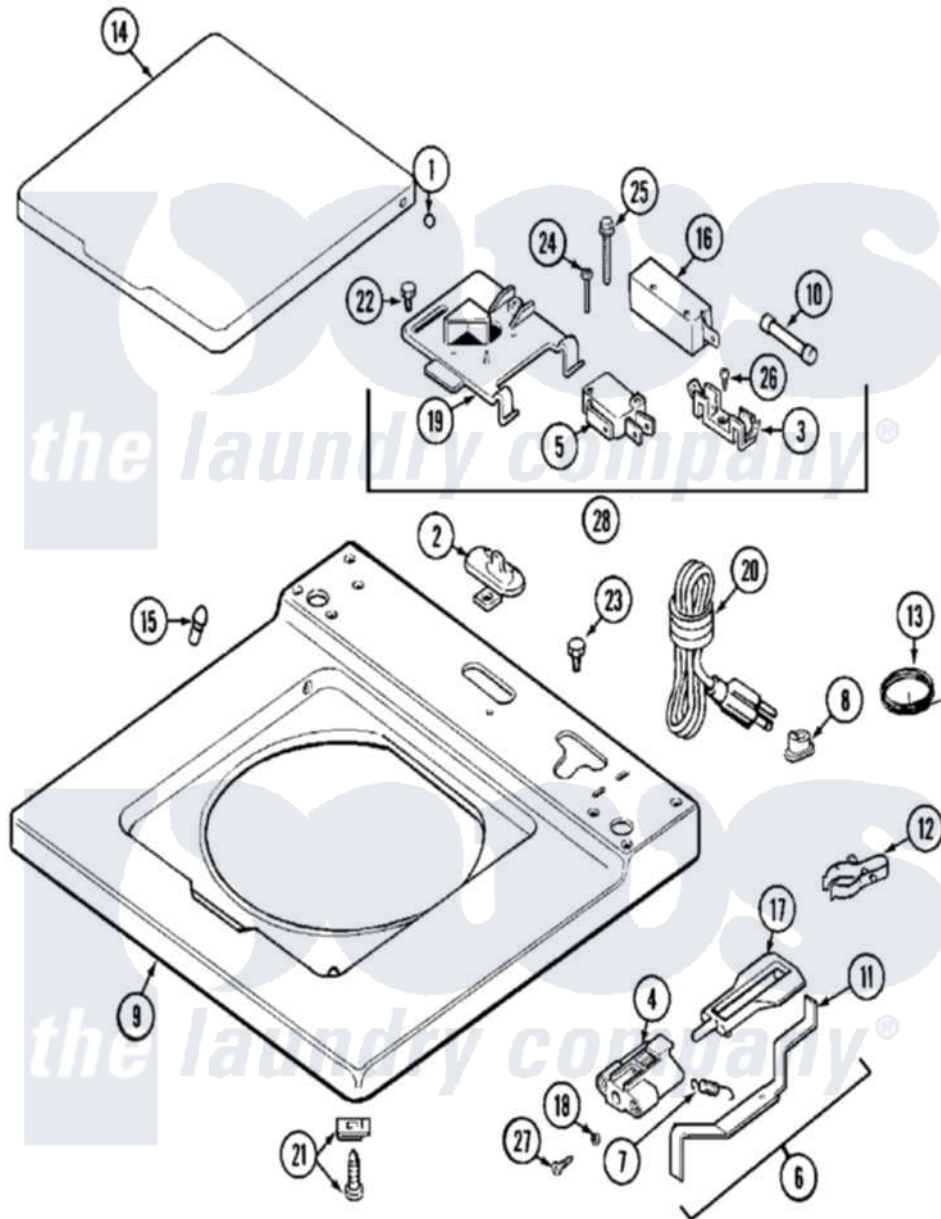


Maytag MAT10CSAAL 03 - TOP



Maytag Residential Maytag MAT10CSAAL Washer Parts Parts Diagram 03 - TOP
 Click on the part number to view part

Item	Original Part Number	Replaced By	Status	Part Description
001	211726			Hinge, Ball Lid
002	207159	489355		Screw, 8 X 1/2
"	22001298			Cap, Top Cover
003	207167			Block, Fuse
004	NLA		Not Available	BRACKET, PLUNGER
005	207166			Switch, Check
006	22001311			Unbalance Lever Assembly
007	213720			Spring, Lid Switch
008	211881			Grommet, Cord Part Not Used-Gas Models Only
"	NLA		Not Available	GROMMET, CORD
009	22001310		Not Available	TOP COVER ASSEMBLY (WHT)
"	NLA		Not Available	TOP COVER (ALM)
010	207168	22001682		Switch Assembly, Lid W/4amp Fuse
011	22001136			Lever, Unbalance

012	301548		Clamp, Ground Wire
013	204807		Ground Wire, Supp. Plte To Top Cover
014	22001341		Lid W/Legend
"	22001342	22002656	Lid, With Legend
015	212716		Bumper, Lid
016	205415	279347	Switch-Lid
017	216255		Plunger, Lid Switch
018	211500		Washer, Bracket To Top Cover
019	Y215699	22001678	Bracket, Switch And Fuse
020	205056	204590	Cord, Power
"	22001351	Not Available	CORD, POWER
021	204445		Screw And Fastener Assembly
022	207159	489355	Screw, 8 X 1/2
023	210186	3370225	Screw
024	22001352		Screw, Check Switch
025	213501		Screw, No.6-20 X 1-1/8 Inch
026	Y311711		Screw, Fuse Block
027	910182	25-7809	Screw, No.6-20 1/2 Flthd Torx
028	207176	22001682	Switch Assembly, Lid W/4amp Fuse

