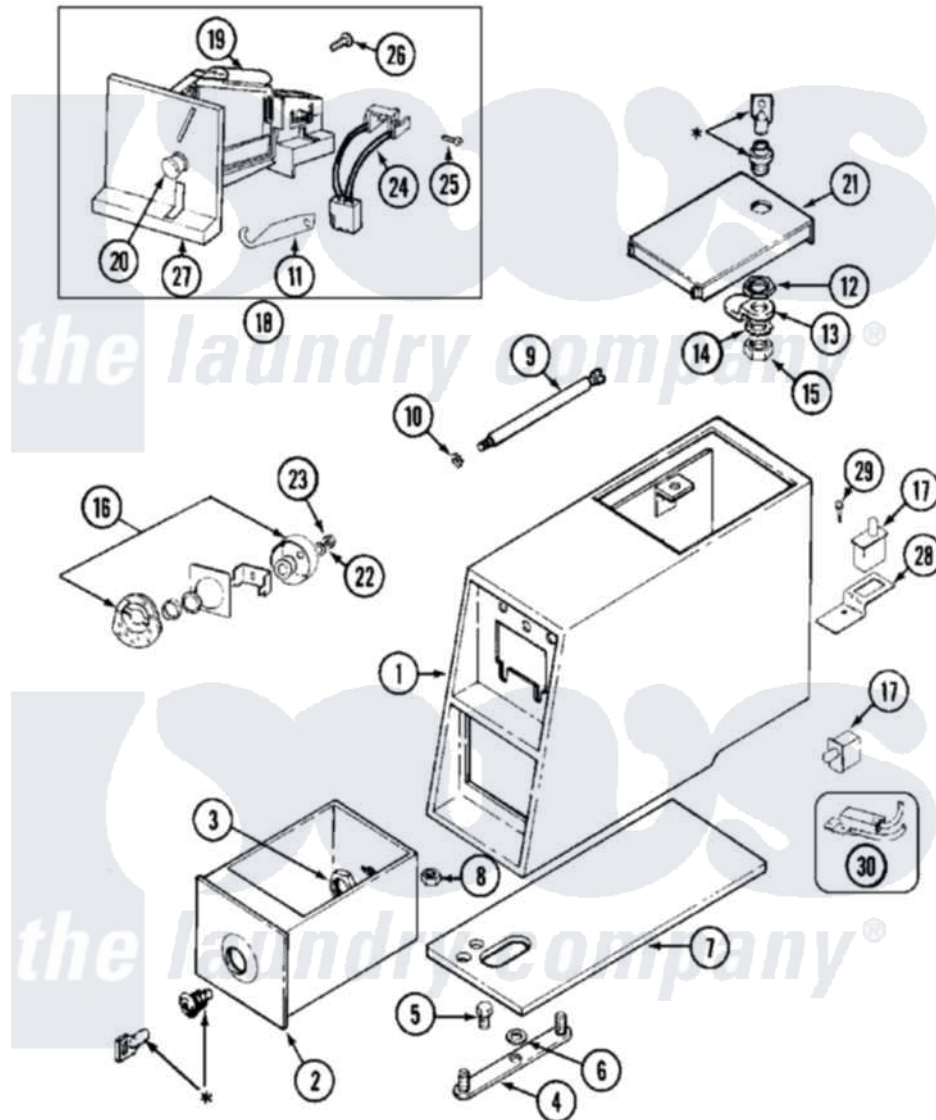


**Maytag MAT10PDABL 10 - CONTROL CNTR (SERIAL SUFFIX QB & AFTER)**



**\*CONTACT YOUR COMMERCIAL LAUNDRY DISTRIBUTOR**

Maytag [Residential Maytag MAT10PDABL Washer Parts](#) Parts Diagram 10 - CONTROL CNTR (SERIAL SUFFIX QB & AFTER)

[Click on the part number to view part](#)

Item	Original Part Number	Replaced By	Status	Part Description
001	<a href="#">22001407</a>			Case, Coin Slide
"	<a href="#">22001408</a>			(ALM)
002	207912	<a href="#">208884</a>		Coin Box K
"	207912L	<a href="#">208884</a>		Coin Box K
003	212328	<a href="#">W10139762</a>		Hex Nut, 3/4-27
004	NLA		Not Available	STRAP, MOUNTING
005	211294	<a href="#">90767</a>		Screw, 8A X 3/8 HeX Washer Head Tapping
006	<a href="#">910309</a>			Washer, Mounting Strap
007	<a href="#">214660</a>			Gasket, Control Center
008	Y052740	<a href="#">62739</a>		Nut, Lock
009	<a href="#">211605</a>			Bezel, Timer Dial
"	<a href="#">213035</a>			Bolt, Locking
010	<a href="#">910181</a>			Lockwasher, Terminal Block
011	212328	<a href="#">W10139762</a>		Hex Nut, 3/4-27

012	213750	<a href="#">W10133266</a>	Cam-Lock
013	22001354	<a href="#">W10177242</a>	Hex-Nut 9/32 - 28
014	<a href="#">22001355</a>		Nut, Lock Cam
015	NLA		Not Available LOCK CAM ASSEMBLY
016	<a href="#">33001250</a>		Switch, Vault And Service Door
"	912012	<a href="#">3400409</a>	Screw
017	<a href="#">207948</a>		Coin Drop Assembly
"	22002143		Not Available FACEPLATE
"	NLA		Not Available (CAN.)
018	<a href="#">216200</a>		Face Plate Return Button
019	204216		Not Available DOOR, ACCESS (WHT)
"	<a href="#">204216L</a>		Door, Access
020	22001354	<a href="#">W10177242</a>	Hex-Nut 9/32 - 28
021	<a href="#">216203</a>		Lockwasher, Double "D"
"	<a href="#">22001355</a>		Nut, Lock Cam
022	<a href="#">206799</a>		Optic Switch Assembly
023	<a href="#">314665</a>		Screw, Switch Assembly
024	<a href="#">216068</a>		Screw, Coin Drop
025	<a href="#">22001404</a>		Bracket, Service Switch
026	212276	<a href="#">W10116760</a>	Screw
027	<a href="#">208045</a>		Harness, Wire Sensor Switch To Circuit Brd

